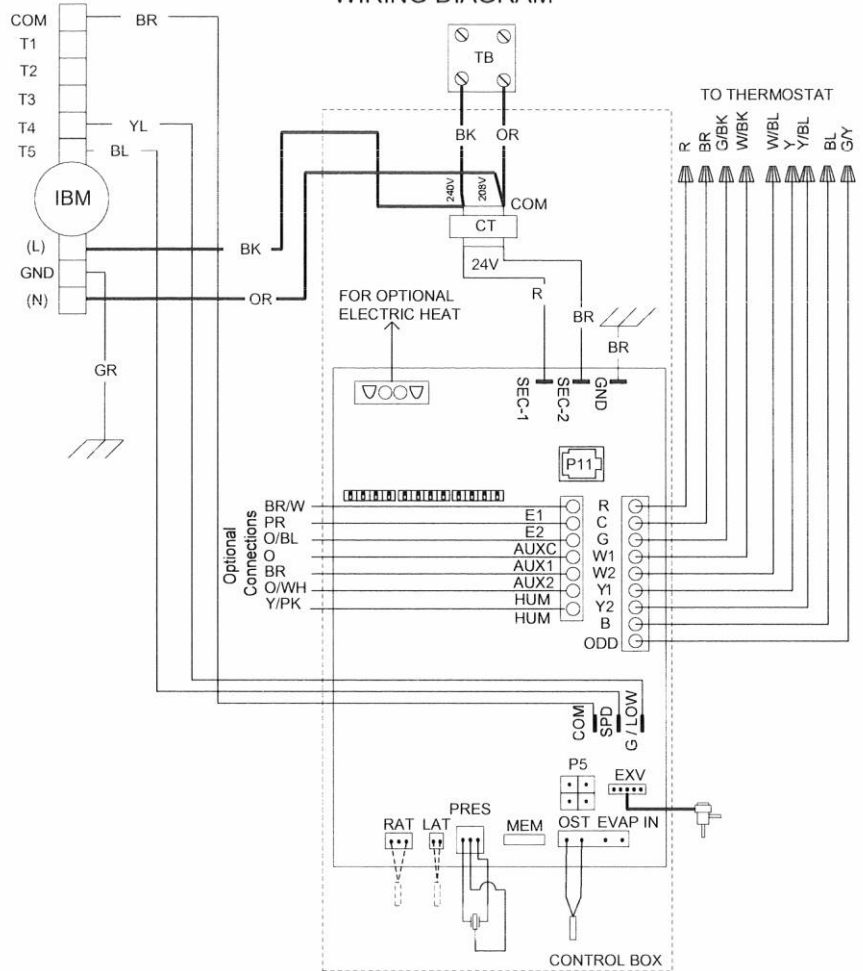


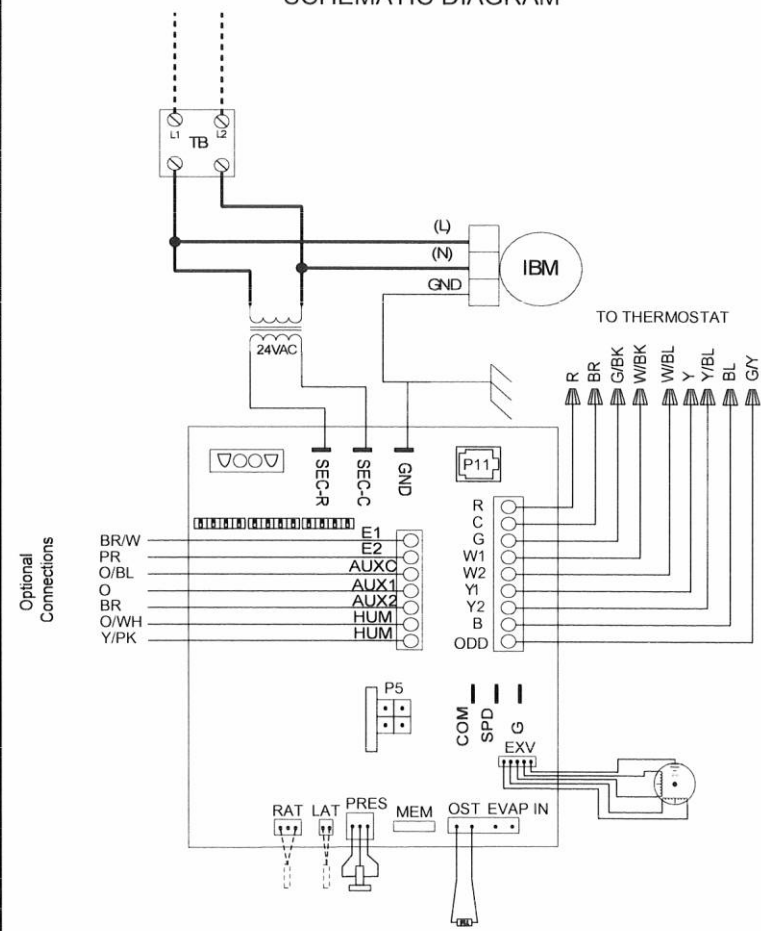
WIRING DIAGRAM



SPEED TAP TABLE

TONS	Y1 or Y2	LOW STATIC	HIGH STATIC
2TON	Y1	T2	T4
2STG	Y2	T3	T5
2TON	Y1	T1	T1
INVERTER	Y2	T3	T5
3 TON	Y1	T2	T4
2STG	Y2	T3	T5
3 TON	Y1	T1	T1
INVERTER	Y2	T3	T5
4 TON	Y1	T2	T4
2STG	Y2	T3	T5
4 TON	Y1	T1	T1
INVERTER	Y2	T3	T5
5 TON	Y1	T2	T4
2STG	Y2	T3	T5
5 TON	Y1	T1	T1
INVERTER	Y2	T3	T5

SCHEMATIC DIAGRAM



WIRING INFORMATION

LINE VOLTAGE
 -FACTORY STANDARD _____
 -FACTORY OPTION - - - - -
 -FIELD INSTALLED - - - - -

LOW VOLTAGE
 -FACTORY STANDARD _____
 -FIELD INSTALLED - - - - -

REPLACEMENT WIRE
 -MUST BE THE SAME SIZE AND TYPE OF INSULATION AS ORIGINAL (105C. MIN.)

WARNING
 -CABINET MUST BE PERMANENTLY GROUNDED AND CONFORM TO I.E.C., N.E.C., C.E.C., NATIONAL WIRING REGULATIONS, AND LOCAL CODES AS APPLICABLE.

- ### NOTES
- CONNECT SUPPLY WIRING FOR VOLTAGE, PHASE AND HERTZ SHOWN ON RATING PLATE.
 - SUPPLY WIRE MUST BE RATED AT 75°C MIN. SEE INSTRUCTIONS FOR SIZE.
 - CT FACTORY WIRED FOR 240V. MOVE WIRES FROM 240V TO 208V FOR 208V OPERATION.
 - CONTROL WIRING TO THERMOSTAT.
 - BLOWER SPEED SELECT(YL WIRE Y1) IS FACTORY WIRED TO HIGH SPEED STATIC SPEED TAB T4, AND THE (BL WIRE Y2) IS WIRED TO HIGH STATIC SPEED TAB T5. (SEE SPEED TAP TABLE FOR ALTERNATE CONFIGURATION.
 - FOR USE WITH COPPER CONDUCTORS ONLY.
 - WHEN USING 13KW AND HIGHER IT IS RECOMMENDED TO JUMP W1 AN W2 TOGETHER FOR MAXIMUM TEMPERATURE RISE.

COMPONENT CODES

CT..... CONTROL TRANSFORMER
 GND..... GROUND
 IBM..... INDOOR BLOWER MOTOR
 TB..... TERMINAL BLOCK
 WIRE NUT
 EXV (5 PIN)..... ELEC. EX VALVE
 OST..... ELEC. EX THERMISTOR
 RAT..... RET. AIR TEMP
 LAT..... LEAVING AIR TEMP
 EVAP..... COIL TEMP CONN.
 P11..... RJ 14 COM TAP
 P5..... COMM. MTR. CONNECT.
 PRESS..... PRESSURE TRANSDUCER
 SPD..... 2ND STAGE A.F. TAP
 SEC-2..... 24V AC COMM.
 SEC-1..... 24V AC
 G..... 1ST STAGE OR FAN ONLY A.F. TAP
 E1..... COMM POS
 E2..... COMM REF

WIRE COLOR CODE

BK.....BLACK	G.....GREEN	PR.....PURPLE
BR.....BROWN	GY.....GRAY	R.....RED
BL.....BLUE	O.....ORANGE	W.....WHITE
PK.....PINK	Y.....YELLOW	

ELECTRICAL WIRING DIAGRAM

2 STAGE ECONET
 AIR HANDLER CONTROL

APPROVED: <i>JHB</i>	CHECKED: <i>MS</i>	ORIGINAL RELEASE NO.:
MODELED BY: JHB	DATE: 10-21-14	H-1029S000
PART NO.: 90-101897-07		REV: 02