

# RHGL

Parts List  
10-December-2013



*This parts list is current as of the above revision date.  
See <http://www.rheempartslists.net/92-42801-RHGL.pdf> for the current revision.*

**Air Handlers - Commercial**

# Table of Contents

Model Explanation .....	Page 3
<b>Parts Numbers</b>	
Panels - Miscellaneous (Granite-Steel Gray) .....	Page 4
Panels - Miscellaneous (Neutra Green) .....	Page 5
Blower Group 090 .....	Page 6
Blower Group 120 .....	Page 7
Blower Group 180-240 .....	Page 8
Coil Parts .....	Page 9
<b>Drawings/Photographs</b>	
Exploded View 090-120 .....	Page 10
Exploded View 180-240 .....	Page 11
Notes .....	Page 12

**MODEL NUMBER EXPLANATION**

<b>R</b>	<b>H</b>	<b>G</b>	<b>L</b>	<b>-</b>	<b>1</b>	<b>2</b>	<b>0</b>	<b>Z</b>	<b>K</b>
<b>1</b>	<b>2</b>	<b>3</b>	<b>4</b>			<b>5</b>		<b>6</b>	<b>7</b>

- |                                                                                                                                                                                                                                                                                    |                                                                                                                                                                                        |
|------------------------------------------------------------------------------------------------------------------------------------------------------------------------------------------------------------------------------------------------------------------------------------|----------------------------------------------------------------------------------------------------------------------------------------------------------------------------------------|
| <p><b>1 MODEL DESIGNATION</b></p> <p><b>2 PRODUCT TYPE</b><br/>H = Air Handler</p> <p><b>3 TYPE</b><br/>G = Horizontal/Vertical</p> <p><b>4 DESIGN SERIES</b></p> <p><b>5 NOMINAL CAPACITY (BTU/HR)</b><br/>090 = 90,000<br/>120 = 120,000<br/>180 = 180,000<br/>240 = 240,000</p> | <p><b>6 ELECTRICAL DESIGNATION</b><br/>H = 115/230/1/60<br/>Y = 575/3/60<br/>Z = 208/230/460/3/60</p> <p><b>7 DRIVE PACKAGE</b><br/>K = Standard<br/>L = Optional<br/>M = Optional</p> |
|------------------------------------------------------------------------------------------------------------------------------------------------------------------------------------------------------------------------------------------------------------------------------------|----------------------------------------------------------------------------------------------------------------------------------------------------------------------------------------|

**SERIAL NUMBER EXPLANATION (Units Produced before Nov. 2013)**

<b>0</b>	<b>6</b>	<b>0</b>	<b>F</b>	<b>0</b>	<b>1</b>	<b>9</b>	<b>2</b>	<b>9</b>	<b>9</b>	<b>9</b>	<b>9</b>	<b>9</b>
	<b>1</b>		<b>2</b>		<b>3</b>		<b>4</b>				<b>5</b>	

- 1 DRIVE COMPONENTS**
- 2 PRODUCTION LOCATION**  
F = Ft. Smith, AR
- 3 WEEK OF PRODUCTION**
- 4 YEAR OF PRODUCTION**
- 5 PRODUCTION NUMBER**

**SERIAL NUMBER EXPLANATION (Units Produced after Nov. 2013)**

<b>F</b>	<b>0</b>	<b>8</b>	<b>1</b>	<b>3</b>	<b>9</b>	<b>9</b>	<b>9</b>	<b>9</b>
<b>(1)</b>		<b>(2)</b>		<b>(3)</b>			<b>(4)</b>	

- (1) PLANT CODE**  
F = Fort Smith, AR
- (2) WEEK OF PRODUCTION**
- (3) YEAR OF PRODUCTION**
- (4) PRODUCTION NUMBER**

No.	Notes	MODEL NOMINAL CAPACITY	RHGL 090	RHGL 120
<b>PANELS, MISCELLANEOUS PARTS (Granite Steel Gray - After F4411)</b>				
1		Floor Pan w/Insulation	AS-90440-01H	AS-90440-01H
2		Center Post w/Insulation (2)	AS-90440-03H	AS-90440-03H
3		Corner Post w/Insulation (2)	AS-90440-04H	AS-90440-04H
4		Duct Flange Outlet	AE-76847-01	AE-76847-01
5		Drain Pan	See Coil Group	
6		Access Panel w/Insulation (2)	AS-90440-10H	AS-90440-10H
7		Access Panel w/Insulation (2)	AS-90440-11H	AS-90440-11H
8		Inlet Cap w/Insulation (2)	AS-90440-12H	AS-90440-12H
9a		Top Pan Insulation Assembly	AS-78097-01H	AS-78097-01H
9b		Top Pan Insulation Assembly	AS-78096-01H	AS-78096-01H
20		Top Filter Channel	AE-90373-01	AE-90373-01
22		Filter Rack	AS-90459-01	AS-90459-01
23		Hitch Pin Clip (2)	63-20878-01	63-20878-01
		Filter Block-Off	AE-90379-01	AE-90379-01
24		Filter Retainer Plate	AE-90377-01	AE-90377-01
25		Filter - Disposable (4)	54-17531-10	54-17531-10
35		Junction Box	AS-90472-01	AS-90472-01

No.	Notes	MODEL NOMINAL CAPACITY	RHGL 180	RHGL 240
<b>PANELS, MISCELLANEOUS PARTS (Granite Steel Gray - After F4411)</b>				
1a		Floor Pan w/Insulation - Left	AS-90389-02H	AS-90389-02H
1b		Floor Pan w/Insulation - Right	AS-90389-01H	AS-90389-01H
2		Center Post w/Insulation (2)	AS-90389-04H	AS-90389-04H
3		Corner Post w/Insulation (2)	AS-90389-05H	AS-90389-05H
4		Duct Flange Outlet	AE-90196-01	AE-90196-01
5		Drain Pan	See Coil Group	
6		Access Panel w/Insulation (4)	AS-90389-12H	AS-90389-12H
8		Inlet Cap w/Insulation (2)	AS-90389-13H	AS-90389-13H
10		Top Rail - Right	AS-90389-07H	AS-90389-07H
11		Top Rail - Left	AS-90389-08H	AS-90389-08H
12		Top Pan - Front	AS-90389-09H	AS-90389-09H
13		Top Pan - Rear	AS-90389-10H	AS-90389-10H
14		Top Pan - Center	AS-90389-11H	AS-90389-11H
15		Motor Mounting Plate	AE-90199-01	AE-90199-01
16		Motor Plate - Bottom	AS-71955-01	AS-71955-02
17		Motor Plate - Top	AE-90211-01	AE-90211-01
20		Top Filter Channel	AS-90416-01	AS-90416-01
21		Bottom Filter Channel	AE-90206-01	AE-90206-01
22		Center Filter Support (2)	AE-90208-01	AE-90208-01
23		Hitch Pin Clip (2)	63-20878-01	63-20878-01
24		Filter Retainer Plate	AE-90209-01	AE-90209-01
25		Filter Disposable (6)	54-17531-06	54-17531-06

No.	Notes	MODEL NOMINAL CAPACITY	RHGL 090	RHGL 120
<b>PANELS, MISCELLANEOUS PARTS (Neutra Green - Before F4411)</b>				
1		Floor Pan w/Insulation	AS-90440-01A	AS-90440-01A
2		Center Post w/Insulation (2)	AS-90440-03A	AS-90440-03A
3		Corner Post w/Insulation (2)	AS-90440-04A	AS-90440-04A
4		Duct Flange Outlet	AE-76847-01	AE-76847-01
5		Drain Pan	See Coil Group	
6		Access Panel w/Insulation (2)	AS-90440-10A	AS-90440-10A
7		Access Panel w/Insulation (2)	AS-90440-11A	AS-90440-11A
8		Inlet Cap w/Insulation (2)	AS-90440-12A	AS-90440-12A
9a		Top Pan Insulation Assembly	AS-78097-01A	AS-78097-01A
9b		Top Pan Insulation Assembly	AS-78096-01A	AS-78096-01A
20		Top Filter Channel	AE-90373-01	AE-90373-01
22		Filter Rack	AS-90459-01	AS-90459-01
23		Hitch Pin Clip (2)	63-20878-01	63-20878-01
		Filter Block-Off	AE-90379-01	AE-90379-01
24		Filter Retainer Plate	AE-90377-01	AE-90377-01
25		Filter - Disposable (4)	54-17531-10	54-17531-10
35		Junction Box	AS-90472-01	AS-90472-01

No.	Notes	MODEL NOMINAL CAPACITY	RHGL 180	RHGL 240
<b>PANELS, MISCELLANEOUS PARTS (Neutra Green - Before F4411)</b>				
1a		Floor Pan w/Insulation - Left	AS-90389-02A	AS-90389-02A
1b		Floor Pan w/Insulation - Right	AS-90389-01A	AS-90389-01A
2		Center Post w/Insulation (2)	AS-90389-04A	AS-90389-04A
3		Corner Post w/Insulation (2)	AS-90389-05A	AS-90389-05A
4		Duct Flange Outlet	AE-90196-01	AE-90196-01
5		Drain Pan	See Coil Group	
6		Access Panel w/Insulation (4)	AS-90389-12A	AS-90389-12A
8		Inlet Cap w/Insulation (2)	AS-90389-13A	AS-90389-13A
10		Top Rail - Right	AS-90389-07A	AS-90389-07A
11		Top Rail - Left	AS-90389-08A	AS-90389-08A
12		Top Pan - Front	AS-90389-09A	AS-90389-09A
13		Top Pan - Rear	AS-90389-10A	AS-90389-10A
14		Top Pan - Center	AS-90389-11A	AS-90389-11A
15		Motor Mounting Plate	AE-90199-01	AE-90199-01
16		Motor Plate - Bottom	AS-71955-01	AS-71955-02
17		Motor Plate - Top	AE-90211-01	AE-90211-01
20		Top Filter Channel	AS-90416-01	AS-90416-01
21		Bottom Filter Channel	AE-90206-01	AE-90206-01
22		Center Filter Support (2)	AE-90208-01	AE-90208-01
23		Hitch Pin Clip (2)	63-20878-01	63-20878-01
24		Filter Retainer Plate	AE-90209-01	AE-90209-01
25		Filter Disposable (6)	54-17531-06	54-17531-06

No.	Notes	MODEL NOMINAL CAPACITY DRIVE PACKAGE		RHGL 090 HK	RHGL 090 YK	RHGL 090 YL
<b>BLOWER GROUP</b>						
26	Stk	Blower Assembly (Includes all items listed below except Blower Plate)		AS-90451-01	AS-90444-05	AS-90444-06
27		Blower Housing		AS-77539-02	AS-77539-02	AS-77539-02
28		Blower Plate w/Insulation (Green - Before F4411)		AS-90440-02A	AS-90440-02A	AS-90440-02A
28		Blower Plate w/Insulation (Gray - After F4411)		AS-90440-02H	AS-90440-02H	AS-90440-02H
29	Stk	Bearing w/cushion (2)		70-41911-01	70-41911-01	70-41911-01
	Stk	Blower Wheel		70-41512-01	70-41512-01	70-41512-01
		Cut Off		AE-72264-03	AE-72264-03	AE-72264-03
30	Stk	Shaft-Blower		70-41900-02	70-41900-02	70-41900-02
		Motor Support		AS-70423-05	AS-70423-05	AS-70423-05
31	Stk	Sheave - Fixed		71-41901-30	71-41901-30	71-41901-30
		Key Shaft		94-42551-08	94-42551-08	94-42551-08
32	Stk	Belt		71-17033-49	71-17033-53	71-17033-53
33		Blower Support (2)		AE-90369-01	AE-90369-01	AE-90369-01
36	Stk	Blower Motor		51-40638-01	51-42177-09	51-42177-10
	Stk	Sheave - Variable		71-40427-41	71-40427-25	71-42538-05
		Motor Mounting Bracket		AE-72344-01	AE-72344-01	AE-72344-01
38		Motor Adjustment Piece		AE-70411-01	AE-70411-01	AE-70411-01
39		Bearing Frame Assembly - Tri-Arm (2)		70-41723-02	70-41723-02	70-41723-02

No.	Notes	MODEL NOMINAL CAPACITY DRIVE PACKAGE	RHGL 090 YM	RHGL 090 ZK	RHGL 090 ZL	RHGL 090 ZM
<b>BLOWER GROUP</b>						
26	Stk	Blower Assembly (Includes all items listed below except Blower Plate)	AS-90444-07	AS-90444-02	AS-90444-03	AS-90444-04
27		Blower Housing	AS-77539-02	AS-77539-02	AS-77539-02	AS-77539-02
28		Blower Plate w/Insulation (Green - Before F4411)	AS-90440-02A	AS-90440-02A	AS-90440-02A	AS-90440-02A
28		Blower Plate w/Insulation (Gray - After F4411)	AS-90440-02H	AS-90440-02H	AS-90440-02H	AS-90440-02H
29	Stk	Bearing (2)	70-41911-01	70-41911-01	70-41911-01	70-41911-01
	Stk	Blower Wheel	70-41512-01	70-41512-01	70-41512-01	70-41512-01
		Cut Off	AE-72264-03	AE-72264-03	AE-72264-03	AE-72264-03
30	Stk	Shaft-Blower	70-41900-02	70-41900-02	70-41900-02	70-41900-02
		Motor Support	AS-70423-05	AS-70423-05	AS-70423-05	AS-70423-05
31	Stk	Sheave - Fixed	71-41901-30	71-41901-30	71-41901-30	71-41901-30
		Key Shaft	94-42551-08	94-42551-08	94-42551-08	94-42551-08
32	Stk	Belt	71-17033-55	71-17033-53	71-17033-53	71-17033-55
33		Blower Support (2)	AE-90369-01	AE-90369-01	AE-90369-01	AE-90369-01
36	Stk	Blower Motor	51-42177-10	51-42368-02	51-42369-02	51-42369-02
	Stk	Sheave - Variable	71-40427-54	71-40427-25	71-42538-05	71-40427-54
		Motor Mounting Bracket	AE-72344-01	AE-72344-01	AE-72344-01	AE-72344-01
38		Motor Adjustment Piece	AE-70411-01	AE-70411-01	AE-70411-01	AE-70411-01
39		Bearing Frame Assembly - Tri-Arm (2)	70-41723-02	70-41723-02	70-41723-02	70-41723-02

No.	Notes	MODEL NOMINAL CAPACITY DRIVE PACKAGE		RHGL 120 HK	RHGL 120 YK	RHGL 120 YL
<b>BLOWER GROUP</b>						
26	Stk	Blower Assembly (Includes all items listed below except Blower Plate)		AS-90451-02	AS-90444-12	AS-90444-13
27		Blower Housing		AS-77539-02	AS-77539-02	AS-77539-02
28		Blower Plate w/Insulation (Green - Before F4411)		AS-90440-02A	AS-90440-02A	AS-90440-02A
28		Blower Plate w/Insulation (Gray - After F4411)		AS-90440-02H	AS-90440-02H	AS-90440-02H
29	Stk	Bearing		70-41911-01	70-41911-01	70-41911-01
	Stk	Blower Wheel		70-41512-01	70-41512-01	70-41512-01
		Cut Off		AE-72264-03	AE-72264-03	AE-72264-03
30	Stk	Shaft-Blower		70-41900-02	70-41900-02	70-41900-02
		Motor Support		AS-70423-05	AS-70423-05	AS-70423-05
31	Stk	Sheave - Fixed		71-41901-29	71-41901-30	71-41901-30
		Key Shaft		94-42551-08	94-42551-08	94-42551-08
32	Stk	Belt		71-17033-48	71-17033-54	71-17033-54
33		Blower Support (2)		AE-90369-01	AE-90369-01	AE-90369-01
36	Stk	Blower Motor		51-41949-01	51-42177-10	51-42178-09
	Stk	Sheave - Variable		71-40427-41	71-40427-43	71-40427-19
		Motor Mounting Bracket		AE-72344-01	AE-72344-01	AE-72344-01
38		Motor Adjustment Piece		AE-70411-01	AE-70411-01	AE-70411-01
39		Bearing Frame Assembly - Tri-Arm (2)		70-41723-02	70-41723-02	70-41723-02

No.	Notes	MODEL NOMINAL CAPACITY DRIVE PACKAGE	RHGL 120 YM	RHGL 120 ZK	RHGL 120 ZL	RHGL 120 ZM
<b>BLOWER GROUP</b>						
26	Stk	Blower Assembly (Includes all items listed below except Blower Plate)	AS-90444-14	AS-90444-09	AS-90444-10	AS-90444-11
27		Blower Housing	AS-77539-02	AS-77539-02	AS-77539-02	AS-77539-02
28		Blower Plate w/Insulation (Green - Before F4411)	AS-90440-02A	AS-90440-02A	AS-90440-02A	AS-90440-02A
28		Blower Plate w/Insulation (Gray - After F4411)	AS-90440-02H	AS-90440-02H	AS-90440-02H	AS-90440-02H
29	Stk	Bearing (2)	70-41911-01	70-41911-01	70-41911-01	70-41911-01
	Stk	Blower Wheel	70-41512-01	70-41512-01	70-41512-01	70-41512-01
		Cut Off	AE-72264-03	AE-72264-03	AE-72264-03	AE-72264-03
30	Stk	Shaft-Blower	70-41900-02	70-41900-02	70-41900-02	70-41900-02
		Motor Support	AS-70423-05	AS-70423-05	AS-70423-05	AS-70423-05
31	Stk	Sheave - Fixed	71-41901-30	71-41901-30	71-41901-30	71-41901-30
		Key Shaft	94-42551-08	94-42551-08	94-42551-08	94-42551-08
32	Stk	Belt	71-17033-55	71-17033-54	71-17033-54	71-17033-55
33		Blower Support (2)	AE-90369-01	AE-90369-01	AE-90369-01	AE-90369-01
36	Stk	Blower Motor	51-42177-08	51-42369-02	51-42370-02	51-42371-01
	Stk	Sheave - Variable	71-40427-23	71-40427-43	71-40427-19	71-40427-23
		Motor Mounting Bracket	AE-72344-01	AE-72344-01	AE-72344-01	AE-72344-01
38		Motor Adjustment Piece	AE-70411-01	AE-70411-01	AE-70411-01	AE-70411-01
39		Bearing Frame Assembly - Tri-Arm (2)	70-41723-02	70-41723-02	70-41723-02	70-41723-02

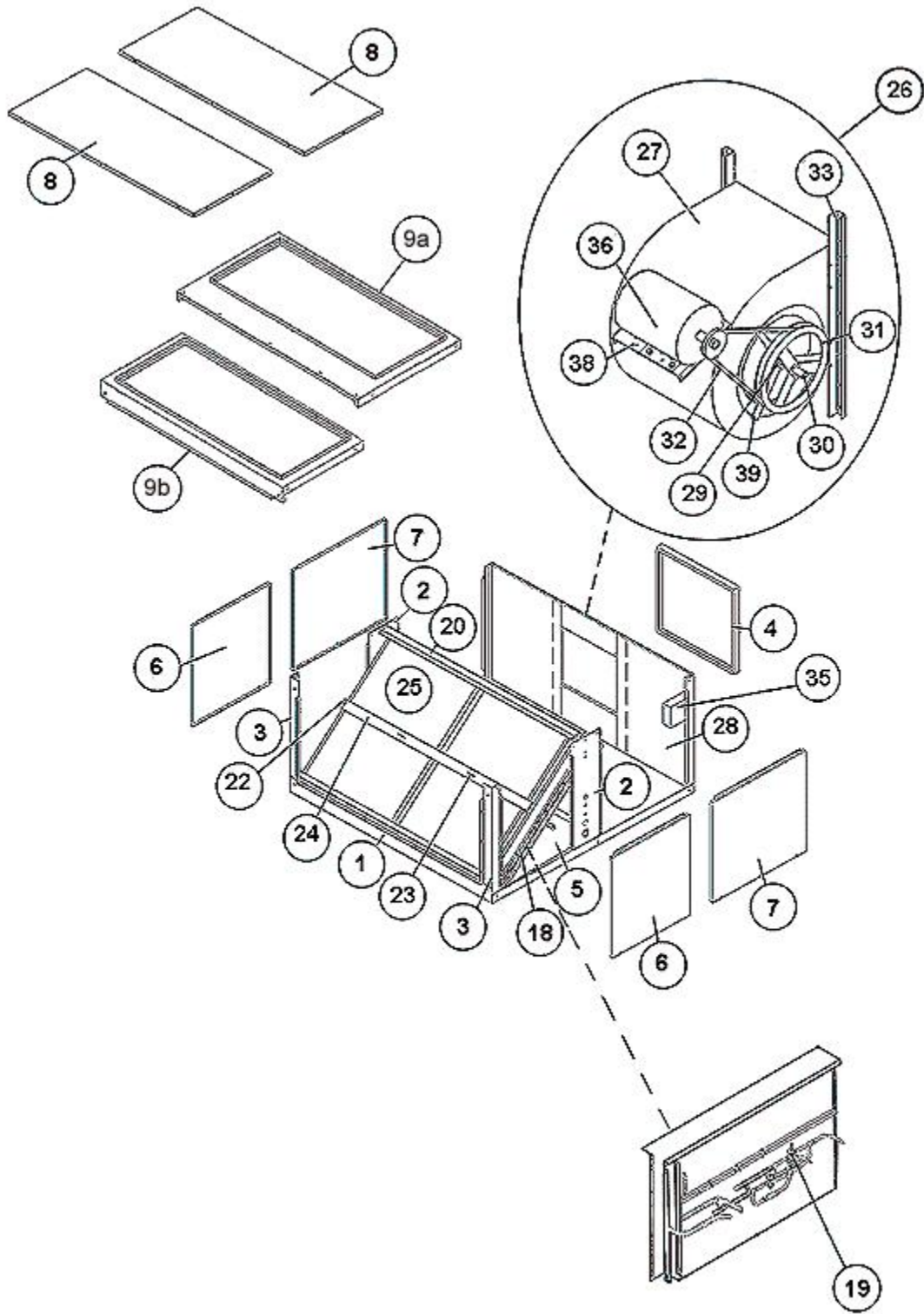
No.	Notes	MODEL NOMINAL CAPACITY DRIVE PACKAGE	RHGL 180 YK	RHGL 180 YL	RHGL 180 ZK	RHGL 180 ZL	RHGL 180 ZM
<b>BLOWER GROUP</b>							
26	Stk	Blower Assembly (Does not include Blower Plate, Belt, Junction Box, Motor and Variable Sheave)	AS-90973-01	AS-90973-01	AS-90973-01	AS-90973-01	AS-90973-02
27		Blower Housing	AS-90971-01	AS-90971-01	AS-90971-01	AS-90971-01	AS-90971-01
28		Blower Plate	AE-90857-01	AE-90857-01	AE-90857-01	AE-90857-01	AE-90857-01
29	Stk	Bearing (2)	70-41854-02	70-41854-02	70-41854-02	70-41854-02	70-41854-02
		Bearing Bracket (2)	70-42284-04	70-42284-04	70-42284-04	70-42284-04	70-42284-04
	Stk	Blower Wheel	70-42682-02	70-42682-02	70-42682-02	70-42682-02	70-42682-02
30		Shaft - Blower	70-41900-06	70-41900-06	70-41900-06	70-41900-06	70-41900-06
31	Stk	Sheave - Fixed	71-41901-11	71-41901-11	71-41901-11	71-41901-11	71-41901-13
		Key - Shaft (2)	AE-72654-01	AE-72654-01	AE-72654-01	AE-72654-01	AE-72654-01
32	Stk	Belt	71-40438-24	71-40438-24	71-40438-24	71-40438-24	71-40438-17
33		Blower Support (2)	AE-90858-01	AE-90858-01	AE-90858-01	AE-90858-01	AE-90858-01
35		Junction Box Assembly	AS-90472-01	AS-90472-01	AS-90472-01	AS-90472-01	AS-90472-01
36	Stk	Blower Motor	51-42178-09	51-42177-08	51-42370-02	51-42371-02	51-42177-13
37	Stk	Sheave - Variable	71-42538-02	71-40427-17	71-42538-02	71-40427-17	71-42538-03

No.	Notes	MODEL NOMINAL CAPACITY DRIVE PACKAGE	RHGL 240 YK	RHGL 240 YL	RHGL 240 ZK	RHGL 240 ZL	RHGL 240 ZM
<b>BLOWER GROUP</b>							
26	Stk	Blower Assembly (Does not include Blower Plate, Belt, Junction Box, Motor and Variable Sheave)	AS-90974-01	AS-90974-02	AS-90974-01	AS-90974-02	AS-90974-03
27		Blower Housing	AS-90972-01	AS-90972-01	AS-90972-01	AS-90972-01	AS-90972-01
28		Blower Plate	AE-90857-01	AE-90857-01	AE-90857-01	AE-90857-01	AE-90857-01
29	Stk	Bearing (2)	70-41854-02	70-41854-02	70-41854-02	70-41854-02	70-41854-02
		Bearing Bracket (2)	70-42284-04	70-42284-04	70-42284-04	70-42284-04	70-42284-04
	Stk	Blower Wheel	70-42682-01	70-42682-01	70-42682-01	70-42682-01	70-42682-01
30	Stk	Shaft - Blower	70-41900-05	70-41900-05	70-41900-05	70-41900-05	70-41900-05
31	Stk	Sheave - Fixed	71-41901-11	71-41901-22	71-41901-11	71-41901-22	71-41901-19
		Key - Shaft (2)	AE-72654-01	AE-72654-01	AE-72654-01	AE-72654-01	AE-72654-01
32	Stk	Belt	71-40438-22	71-41764-05	71-40438-22	71-41764-05	71-41764-06
33		Blower Support (2)	AE-90858-01	AE-90858-01	AE-90858-01	AE-90858-01	AE-90858-01
35		Junction Box Assembly	AS-90472-01	AS-90472-01	AS-90472-01	AS-90472-01	AS-90472-01
36	Stk	Blower Motor	51-42574-01	51-42178-12	51-42177-13	51-42177-06	51-42177-06
37	Stk	Sheave - Variable	71-40427-06	71-40428-34	71-40427-06	71-40428-34	71-40428-34

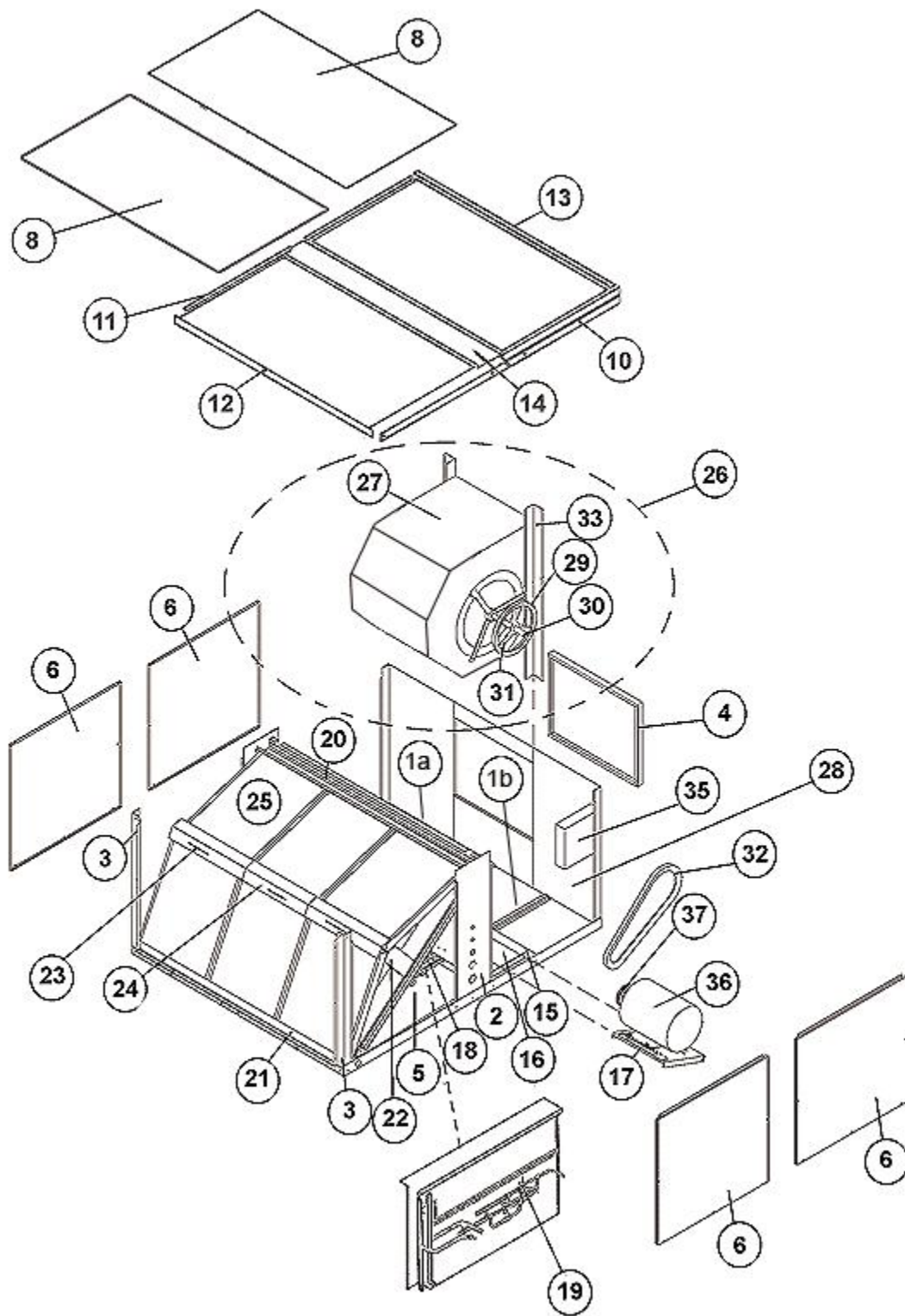


No.	Notes	MODEL NOMINAL CAPACITY	RHGL 090	RHGL 120
<b>COIL GROUP</b>				
5	Stk	Drain Pan (Green - Before F4411)	AS-90442-01A	AS-90442-01A
5	Stk	Drain Pan (Gray - After F4411)	AS-90442-01H	AS-90442-01H
18	Stk	Evaporator Coil w/TXV	AS-90902-05	AS-90902-06
19	Stk	TXV w/Distributor (2)	61-42662-07	61-42662-08
		Drip Rail	AE-90471-01	AE-90471-01

No.	Notes	MODEL NOMINAL CAPACITY	RHGL 180	RHGL 240
<b>COIL GROUP</b>				
5	Stk	Drain Pan (Green - Before F4411)	AS-90402-01A	AS-90402-01A
5	Stk	Drain Pan (Gray - After F4411)	AS-90402-01H	AS-90402-01H
18	Stk	Evaporator Coil w/TXV	AS-90902-07	AS-90902-08
19	Stk	TXV w/Distributor (2)	61-42662-09	61-42662-10



Exploded View 090-120



Exploded View 180-240

# NOTES

Stk It is recommended that stock be maintained for this part.  
N/A Not Applicable