



RJPL-A

Parts List
11-April-2013



*This parts list is current as of the above revision date.
See <http://www.rheempartslists.net/92-42800-RJPL-A.pdf> for the current revision.*

Package Heat Pumps - Commercial

Table of Contents

Model Explanation	Page 3
Parts Numbers	
Panels - Miscellaneous (Granite-Steel Gray)	Page 4
Panels - Miscellaneous (Neutra Green)	Page 5
Electrical Group (1)	Page 6
Electrical Group (2)	Page 7
Fan Group	Page 8
Blower Group - Direct Drive	Page 9
Blower Assembly - Belt Drive (1)	Page 10
Blower Assembly - Belt Drive (2)	Page 11
Blower Motor Group - Belt Drive	Page 12
Coil Parts	Page 13
Compressor Group	Page 14
Heater Kits	Page 15
Accessories	Page 15
Drawings/Photographs	
Exploded View	Page 16
Control Box	Page 17
Blower Parts - Direct Drive	Page 17
Blower Parts - Belt Drive	Page 18
Blower Mounting - Belt Drive	Page 19
Coil Group Cut-away View	Page 20
Evaporator Coil - Filter Parts	Page 20
Compressor - Refrigerator Group	Page 21
Notes/Disclaimer	Page 22

MODEL NUMBER EXPLANATION

R	J	P	L	-	A	036	J	K	000
1	2	3	4		5	6	7	8	9

- | | | |
|--|-----------------|---|
| <p>1 TRADEBRAND</p> <p>2 PRODUCT CLASSIFICATION
J = Package Heat Pump - Commercial</p> <p>3 EFFICIENCY DESIGNATION
P = 14 SEER</p> <p>4 DESIGN SERIES
L = R-410A</p> <p>5 TECHNICAL VARIATION</p> <p>6 COOLING CAPACITY (BTU/HR)
036 = 36,000
042 = 42,000
048 = 48,000
060 = 60,000</p> | <p>7</p> | <p>ELECTRICAL DESIGNATION
J = 208-230/1/60
C = 208-230/3/60
D = 460/3/50</p> <p>8 DRIVE PACKAGE
K = Direct Drive
L = Belt Drive
M = Belt Drive - High Static</p> <p>9 HEAT DESIGNATION - (ELECTRIC HEAT)
000 = No Resistance Heat
010 = 10KW
015 = 15 KW
020 = 20 KW</p> |
|--|-----------------|---|

SERIAL NUMBER EXPLANATION

1 2 3 4	F	05	07	00001
1	2	3	4	5

- 1 COMPRESSOR IDENTIFICATION NUMBER**
- 2 PRODUCTION LOCATION**
F - FORT SMITH, AR
- 3 WEEK OF PRODUCTION**
- 4 YEAR OF PRODUCTION**
- 5 PRODUCTION NUMBER**

No.	Notes	MODEL TECHNICAL VARIATION COOLING CAPACITY	RJPL- A 036-060
PANELS, MISCELLANEOUS PARTS (Granite Steel Gray - After F4411)			
1		Base Rail - Side (2)	AE-58900-01
2		Base Rail - Condenser End	AE-58901-01
3		Base Rail - Evaporator End	AE-58902-01
4		Outdoor Coil Base Pan	AS-59051-01H
5		Indoor Coil Base Pan	AS-58910-05
6		Condenser Bulkhead (Does not include Limit Baffle or Tube Support Angles)	AS-59126-02
		Shield (Covers opening on the Condenser Bulkhead Assembly)	AS-59152-01
8		Blower Bulkhead (Does not include Tube Support Angle, Blower Extension, or Insulation Retainer)	AS-59129-01
9		Blower Extension - Front	AE-58928-01
10		Blower Extension - Back	AE-58928-02
		Cover Plate (On the Blower Extension - Front to cover the Limit Control opening)	AE-76216-01
		Insulation Retainer	AE-59059-01
12		Wire Chase Insulation Assembly	AS-58927-01
13		Corner Post (2)	AS-58965-01H
15		Louvered Panel	See Accessories
16		Louvered Panel	See Accessories
17		Louvered Panel	See Accessories
18		Supply/Return Cover Panels	AS-58992-01H
19		Rear Panel (Includes Insulation, Filler Panel, and Stripping)	AS-58976-01H
20		Return Air Filler	AS-58974-01H
		Rear Panel Stripping - Cut Length	AE-58897-10
21		Blower/Filter Access Panels (2)	AS-58990-01H
22		Post - Left End Assembly	AS-58973-01H
23		Front Panel Insulation Assembly	AS-59132-01H
24		Electric Heat Access Panel	AS-59121-02H
25		Compressor Access Panel	AS-58983-04H
26		Power Entry Panel	AS-58968-03H
27		Front Post	AS-58967-01H
28		Indoor Coil Top Panel Assembly	AS-58979-01H
29		Condenser Top Panel	AS-58982-01H
31		Wire Grille	95-101660-01
33		Control Box (w/o components)	AS-59039-01

No.	Notes	MODEL TECHNICAL VARIATION COOLING CAPACITY	RJPL- A 036-060
PANELS, MISCELLANEOUS PARTS (Neutra Green - Before F4411)			
1		Base Rail - Side (2)	AE-58900-01
2		Base Rail - Condenser End	AE-58901-01
3		Base Rail - Evaporator End	AE-58902-01
4		Outdoor Coil Base Pan	AS-59051-01
5		Indoor Coil Base Pan	AS-58910-05
6		Condenser Bulkhead (Does not include Limit Baffle or Tube Support Angles)	AS-59126-02
		Shield (Covers opening on the Condenser Bulkhead Assembly)	AS-59152-01
8		Blower Bulkhead (Does not include Tube Support Angle, Blower Extension, or Insulation Retainer)	AS-59129-01
9		Blower Extension - Front	AE-58928-01
10		Blower Extension - Back	AE-58928-02
		Cover Plate (On the Blower Extension - Front to cover the Limit Control opening)	AE-76216-01
		Insulation Retainer	AE-59059-01
12		Wire Chase Insulation Assembly	AS-58927-01
13		Corner Post (2)	AE-58965-01
15		Louvered Panel	See Accessories
16		Louvered Panel	See Accessories
17		Louvered Panel	See Accessories
18		Supply/Return Cover Panels	AS-58992-01
19		Rear Panel (Includes Insulation, Filler Panel, and Stripping)	AS-58976-01
20		Return Air Filler	AE-58974-01
		Rear Panel Stripping - Cut Length	AE-58897-10
21		Blower/Filter Access Panels (2)	AS-58990-01
22		Post - Left End Assembly	AS-58973-01
23		Front Panel Insulation Assembly	AS-59132-01
24		Electric Heat Access Panel	AS-59121-02
25		Compressor Access Panel	AE-58983-04
26		Power Entry Panel	AE-58968-03
27		Front Post	AE-58967-01
28		Indoor Coil Top Panel Assembly	AS-58979-01
29		Condenser Top Panel	AS-58982-01
31		Wire Grille	95-101660-01
33		Control Box (w/o components)	AS-59039-01

No.	Notes	MODEL TECHNICAL VARIATION COOLING CAPACITY ELECTRICAL DESIGNATION	RJPL- A 036 C	RJPL- A 036 D	RJPL- A 036 J
ELECTRICAL GROUP					
		CONTROL BOX COMPONENTS (Items 35,36, 38-46):			
35a		Capacitor (Dual Round - Compressor/Fan)	See Compressor Group		
35b		Capacitor (Fan Only)	See Fan Group		
36		Capacitor Adapter Plate	See Fan Group		
38	Stk,1	Defrost Control (Includes Ambient and Defrost Sensor) - Before F3910	47-21517-18	47-21517-18	47-21517-18
38	Stk,1	Defrost Control (Includes Ambient and Defrost Sensor) - After F3910	47-102685-05	47-102685-05	47-102685-05
39	Stk	Blower Relay	42-101208-01	42-21571-04	42-21571-08
40	Stk	Defrost Relay	N/A	42-19736-04	N/A
		Accessory Relay	42-19736-05	42-19736-05	42-19736-05
41	Stk	Blower Time Delay Relay	42-21593-03	42-21593-03	N/A
42	Stk	Blower Contactor - Belt Drive	42-22464-01	42-22464-01	N/A
43		Compressor Time Delay Relay	See Accessories		
44	Stk	Compressor Contactor	42-22464-01	42-22464-01	42-42728-03
45	Stk	Control Transformer	46-23600-01	46-23600-02	46-23600-01
46		Terminal Strip	45-23591-01	45-23591-01	45-23591-01
		Low Ambient Control	See Accessories		
48	Stk	High Pressure Control - Before F3910	47-23699-04	47-23699-04	47-23699-04
48	Stk	High Pressure Control - After F3910	47-102290-01	47-102290-01	47-102290-01
	Stk	Low Pressure Control - After F3910	47-102240-02	47-102240-02	47-102240-02

No.	Notes	MODEL TECHNICAL VARIATION COOLING CAPACITY ELECTRICAL DESIGNATION	RJPL- A 042 C	RJPL- A 042 D	RJPL- A 042 J
ELECTRICAL GROUP					
		CONTROL BOX COMPONENTS (Items 35,36, 38-46):			
35a		Capacitor (Dual Round - Compressor/Fan)	See Compressor Group		
35b		Capacitor (Fan Only)	See Fan Group		
36		Capacitor Adapter Plate	See Fan Group		
38	Stk,1	Defrost Control (Includes Ambient and Defrost Sensor) - Before F3910	47-21517-18	47-21517-18	47-21517-18
38	Stk,1	Defrost Control (Includes Ambient and Defrost Sensor) - After F3910	47-102685-05	47-102685-05	47-102685-05
39	Stk	Blower Relay	42-101208-01	42-21571-04	42-21571-08
40	Stk	Defrost Relay	N/A	42-19736-04	N/A
		Accessory Relay	42-19736-05	42-19736-05	42-19736-05
41	Stk	Blower Time Delay Relay	42-21593-03	42-21593-03	N/A
42	Stk	Blower Contactor - Belt Drive	42-22464-01	42-22464-01	N/A
43		Compressor Time Delay Relay	See Accessories		
44	Stk	Compressor Contactor	42-22464-01	42-22464-01	42-42728-03
45	Stk	Control Transformer	46-23600-01	46-23600-02	46-23600-01
46		Terminal Strip	45-23591-01	45-23591-01	45-23591-01
		Low Ambient Control	See Accessories		
48	Stk	High Pressure Control - Before F3910	47-23699-04	47-23699-04	47-23699-04
48	Stk	High Pressure Control - After F3910	47-102290-01	47-102290-01	47-102290-01
	Stk	Low Pressure Control - After F3910	47-102240-02	47-102240-02	47-102240-02

No.	Notes	MODEL TECHNICAL VARIATION COOLING CAPACITY ELECTRICAL DESIGNATION	RJPL- A 048 C	RJPL- A 048 D	RJPL- A 048 J
ELECTRICAL GROUP					
		CONTROL BOX COMPONENTS (Items 35,36, 38-46):			
35a		Capacitor (Dual Round - Compressor/Fan)	See Compressor Group		
35b		Capacitor (Fan Only)	See Fan Group		
36		Capacitor Adapter Plate	See Fan Group		
38	Stk,1	Defrost Control (Includes Ambient and Defrost Sensor) - Before F3910	47-21517-18	47-21517-18	47-21517-18
38	Stk,1	Defrost Control (Includes Ambient and Defrost Sensor) - After F3910	47-102685-05	47-102685-05	47-102685-05
39		Blower Relay	42-101208-01	42-21571-04	42-21571-08
40	Stk	Defrost Relay	N/A	42-19736-04	N/A
		Accessory Relay	42-19736-05	42-19736-05	42-19736-05
41	Stk	Blower Time Delay Relay	42-21593-03	42-21593-03	N/A
42	Stk	Blower Contactor - Belt Drive	42-22464-01	42-22464-01	N/A
43		Compressor Time Delay Relay	See Accessories		
44	Stk	Compressor Contactor	42-22464-01	42-22464-01	42-42478-02
45	Stk	Control Transformer	46-23600-01	46-23600-02	46-23600-01
46		Terminal Strip	45-23591-01	45-23591-01	45-23591-01
		Low Ambient Control	See Accessories		
48	Stk	High Pressure Control - Before F3910	47-23699-04	47-23699-04	47-23699-04
48	Stk	High Pressure Control - After F3910	47-102290-01	47-102290-01	47-102290-01
	Stk	Low Pressure Control - After F3910	47-102240-02	47-102240-02	47-102240-02

No.	Notes	MODEL TECHNICAL VARIATION COOLING CAPACITY ELECTRICAL DESIGNATION	RJPL- A 060 C	RJPL- A 060 D	RJPL- A 060 J
ELECTRICAL GROUP					
		CONTROL BOX COMPONENTS (Items 35,36, 38-46):			
35a		Capacitor (Dual Round - Compressor/Fan)	See Compressor Group		
35b		Capacitor (Fan Only)	See Fan Group		
36		Capacitor Adapter Plate	See Fan Group		
38	Stk,1	Defrost Control (Includes Ambient and Defrost Sensor) - Before F3910	47-21517-18	47-21517-18	47-21517-18
38	Stk,1	Defrost Control (Includes Ambient and Defrost Sensor) - After F3910	47-102685-05	47-102685-05	47-102685-05
39		Blower Relay	42-101208-01	42-21571-04	42-21571-08
40	Stk	Defrost Relay	N/A	42-19736-04	N/A
		Accessory Relay	42-19736-05	42-19736-05	42-19736-05
41	Stk	Blower Time Delay Relay	42-21593-03	42-21593-03	N/A
42		Blower Contactor - Belt Drive	42-22464-01	42-22464-01	N/A
43		Compressor Time Delay Relay	See Accessories		
44	Stk	Compressor Contactor	42-22464-01	42-22464-01	42-42478-02
45	Stk	Control Transformer	46-23600-01	46-23600-02	46-23600-01
46		Terminal Strip	45-23591-01	45-23591-01	45-23591-01
		Low Ambient Control	See Accessories		
48	Stk	High Pressure Control - Before F3910	47-23699-04	47-23699-04	47-23699-04
48	Stk	High Pressure Control - After F3910	47-102290-01	47-102290-01	47-102290-01
	Stk	Low Pressure Control - After F3910	47-102240-02	47-102240-02	47-102240-02

No.	Notes	MODEL TECHNICAL VARIATION COOLING CAPACITY ELECTRICAL DESIGNATION	RJPL- A 036 C	RJPL- A 036 D	RJPL- A 036 J
FAN GROUP					
34	Stk	Fan Motor	51-100998-05	51-100998-07	51-100998-05
35b	Stk	Capacitor - Fan Motor	43-100496-04	43-100496-04	N/A
36		Capacitor Adapter Plate	AE-54609-02	AE-54609-02	AE-54609-01
37	Stk	Fan Blade	70-23594-01	70-23594-01	70-23594-01

No.	Notes	MODEL TECHNICAL VARIATION COOLING CAPACITY ELECTRICAL DESIGNATION	RJPL- A 042 C	RJPL- A 042 D	RJPL- A 042 J
FAN GROUP					
34	Stk	Fan Motor	51-100998-05	51-100998-07	51-100998-05
35b	Stk	Capacitor - Fan Motor	43-100496-04	43-100496-04	N/A
36		Capacitor Adapter Plate	AE-54609-02	AE-54609-02	AE-54609-01
37	Stk	Fan Blade	70-23594-01	70-23594-01	70-23594-01

No.	Notes	MODEL TECHNICAL VARIATION COOLING CAPACITY ELECTRICAL DESIGNATION	RJPL- A 048 C	RJPL- A 048 D	RJPL- A 048 J
FAN GROUP					
34	Stk	Fan Motor	51-100998-05	51-100998-07	51-100998-05
35b	Stk	Capacitor - Fan Motor	43-100496-04	43-100496-04	N/A
36		Capacitor Adapter Plate	AE-54609-02	AE-54609-02	AE-54609-01
37	Stk	Fan Blade	70-23594-01	70-23594-01	70-23594-01

No.	Notes	MODEL TECHNICAL VARIATION COOLING CAPACITY ELECTRICAL DESIGNATION	RJPL- A 060 C	RJPL- A 060 D	RJPL- A 060 J
FAN GROUP					
34	Stk	Fan Motor	51-100998-13	51-100998-12	51-100998-13
35b	Stk	Capacitor - Fan Motor	43-100496-12	43-100496-12	N/A
36		Capacitor Adapter Plate	AE-54609-02	AE-54609-02	AE-54609-01
37	Stk	Fan Blade	70-42484-01	70-42484-01	70-42484-01

No.	Notes	MODEL TECHNICAL VARIATION COOLING CAPACITY ELECTRICAL DESIGNATION DRIVE PACKAGE	RJPL- A 036 C K	RJPL- A 036 D K	RJPL- A 036 J K	RJPL- A 042 C K	RJPL- A 042 D K	RJPL- A 042 J K
BLOWER GROUP - DIRECT DRIVE								
50	Stk	Blower Assembly (Items 51-58)	AS-59050-19	AS-59050-23	AS-59050-19	AS-59050-20	AS-59050-24	AS-59050-20
51		Housing	AS-58944-01	AS-58944-01	AS-58944-01	AS-58944-01	AS-58944-01	AS-58944-01
52	Stk	Wheel	70-23110-30	70-23110-30	70-23110-30	70-23110-30	70-23110-30	70-23110-30
53		Cut-Off Tabulation	AE-64401-05	AE-64401-05	AE-64401-05	AE-64401-05	AE-64401-05	AE-64401-05
54	Stk	Blower Motor	51-101880-17	51-103623-01	51-101880-17	51-101920-17	51-103253-02	51-101920-17
56		Motor Band	70-19927-03	70-19927-03	70-19927-03	70-19927-03	70-19927-03	70-19927-03
57		Motor Mounting Arm (3)	70-19929-09	70-19929-09	70-19929-09	70-19929-09	70-19929-09	70-19929-09
58		Blower Support - (Left Side)	AE-58950-02	AE-58950-02	AE-58950-02	AE-58950-02	AE-58950-02	AE-58950-02
		Blower Support - (Motor Side)	AE-59060-01	AE-59060-01	AE-59060-01	AE-59060-01	AE-59060-01	AE-59060-01

No.	Notes	MODEL TECHNICAL VARIATION COOLING CAPACITY ELECTRICAL DESIGNATION DRIVE PACKAGE	RJPL- A 048 C K	RJPL- A 048 D K	RJPL- A 048 J K	RJPL- A 060 C K	RJPL- A 060 D K	RJPL- A 060 J K
BLOWER GROUP - DIRECT DRIVE								
50	Stk	Blower Assembly (Items 51-58)	AS-59050-21	AS-59050-25	AS-59050-21	AS-59050-22	AS-59050-26	AS-59050-22
51		Housing	AS-58944-01	AS-58944-01	AS-58944-01	AS-101342-02	AS-101342-02	AS-101342-02
52	Stk	Wheel	70-23110-30	70-23110-30	70-23110-30	70-23111-29	70-23111-29	70-23111-29
53		Cut-Off Tabulation	AE-64401-05	AE-64401-05	AE-64401-05	AE-64401-23	AE-64401-23	AE-64401-23
54	Stk	Blower Motor	51-101920-18	51-103253-03	51-101920-18	51-101984-11	51-103624-01	51-101984-11
56		Motor Band	70-19927-03	70-19927-03	70-19927-03	70-19927-03	70-19927-03	70-19927-03
57		Motor Mounting Arm (3)	70-19929-09	70-19929-09	70-19929-09	70-19929-09	70-19929-09	70-19929-09
58		Blower Support - (Left Side)	AE-58950-02	AE-58950-02	AE-58950-02	AE-58950-04	AE-58950-04	AE-58950-04
		Blower Support - (Motor Side)	AE-59060-01	AE-59060-01	AE-59060-01	AE-59060-01	AE-59060-01	AE-59060-01

No.	Notes	MODEL TECHNICAL VARIATION COOLING CAPACITY ELECTRICAL DESIGNATION DRIVE PACKAGE	RJPL-	RJPL-	RJPL-	RJPL-
			A 036 C L	A 036 C M	A 036 D L	A 036 D M
BLOWER ASSEMBLY - BELT DRIVE						
59	Stk	Blower Assembly (Items 60-63, 65-70 excluding item 69b)	AS-101336-01	AS-101336-05	AS-101336-01	AS-101336-05
60		Housing	AS-101341-01	AS-101341-01	AS-101341-01	AS-101341-01
61	Stk	Bearing Frame Tri-Arm (2)	70-41723-03	70-41723-03	70-41723-03	70-41723-03
62	Stk	Ball Bearing and Cushion (2)	70-41911-01	70-41911-01	70-41911-01	70-41911-01
63	Stk	Blower Shaft	70-21933-02	70-21933-02	70-21933-02	70-21933-02
64	Stk	Fixed Pitch Sheave	71-21932-04	71-21932-03	71-21932-04	71-21932-03
65		Blower Support - Left	AE-58950-02	AE-58950-02	AE-58950-02	AE-58950-02
66	Stk	Wheel	70-23589-01	70-23589-01	70-23589-01	70-23589-01
67		Cut-Off Tabulation	AE-64401-05	AE-64401-05	AE-64401-05	AE-64401-05
71		Blower Motor	See Blower Motor Group - Belt Drive			
72		Variable Pitch Sheave	See Blower Motor Group - Belt Drive			
73		Belt	See Blower Motor Group - Belt Drive			

No.	Notes	MODEL TECHNICAL VARIATION COOLING CAPACITY ELECTRICAL DESIGNATION DRIVE PACKAGE	RJPL-	RJPL-	RJPL-	RJPL-
			A 042 C L	A 042 C M	A 042 D L	A 042 D M
BLOWER ASSEMBLY - BELT DRIVE						
59	Stk	Blower Assembly (Items 60-63, 65-70 excluding item 69b)	AS-101336-01	AS-101336-05	AS-101336-01	AS-101336-05
60		Housing	AS-101341-01	AS-101341-01	AS-101341-01	AS-101341-01
61	Stk	Bearing Frame Tri-Arm (2)	70-41723-03	70-41723-03	70-41723-03	70-41723-03
62	Stk	Ball Bearing and Cushion (2)	70-41911-01	70-41911-01	70-41911-01	70-41911-01
63	Stk	Blower Shaft	70-21933-02	70-21933-02	70-21933-02	70-21933-02
64	Stk	Fixed Pitch Sheave	71-21932-04	71-21932-03	71-21932-04	71-21932-03
65		Blower Support - Left	AE-58950-02	AE-58950-02	AE-58950-02	AE-58950-02
66	Stk	Wheel	70-23589-01	70-23589-01	70-23589-01	70-23589-01
67		Cut-Off Tabulation	AE-64401-05	AE-64401-05	AE-64401-05	AE-64401-05
71		Blower Motor	See Blower Motor Group - Belt Drive			
72		Variable Pitch Sheave	See Blower Motor Group - Belt Drive			
73		Belt	See Blower Motor Group - Belt Drive			

No.	Notes	MODEL TECHNICAL VARIATION COOLING CAPACITY ELECTRICAL DESIGNATION DRIVE PACKAGE	RJPL-	RJPL-	RJPL-	RJPL-
			A 048 C L	A 048 C M	A 048 D L	A 048 D M
BLOWER ASSEMBLY - BELT DRIVE						
59	Stk	Blower Assembly (Items 60-63, 65-70 excluding item 69b)	AS-101336-01	AS-101336-05	AS-101336-01	AS-101336-05
60		Housing	AS-101341-01	AS-101341-01	AS-101341-01	AS-101341-01
61	Stk	Bearing Frame Tri-Arm (2)	70-41723-03	70-41723-03	70-41723-03	70-41723-03
62	Stk	Ball Bearing and Cushion (2)	70-41911-01	70-41911-01	70-41911-01	70-41911-01
63	Stk	Blower Shaft	70-21933-02	70-21933-02	70-21933-02	70-21933-02
64	Stk	Fixed Pitch Sheave	71-21932-04	71-21932-03	71-21932-04	71-21932-03
65		Blower Support - Left	AE-58950-02	AE-58950-02	AE-58950-02	AE-58950-02
66	Stk	Wheel	70-23589-01	70-23589-01	70-23589-01	70-23589-01
67		Cut-Off Tabulation	AE-64401-05	AE-64401-05	AE-64401-05	AE-64401-05
71		Blower Motor	See Blower Motor Group - Belt Drive			
72		Variable Pitch Sheave	See Blower Motor Group - Belt Drive			
73		Belt	See Blower Motor Group - Belt Drive			

No.	Notes	MODEL TECHNICAL VARIATION COOLING CAPACITY ELECTRICAL DESIGNATION DRIVE PACKAGE	RJPL-	RJPL-	RJPL-	RJPL-
			A 060 C L	A 060 C M	A 060 D L	A 060 D M
BLOWER ASSEMBLY - BELT DRIVE						
59	Stk	Blower Assembly (Items 60-63, 65-70 excluding item 69b)	AS-101336-05	AS-101336-05	AS-101336-05	AS-101336-05
60		Housing	AS-101341-01	AS-101341-01	AS-101341-01	AS-101341-01
61	Stk	Bearing Frame Tri-Arm (2)	70-41723-03	70-41723-03	70-41723-03	70-41723-03
62	Stk	Ball Bearing and Cushion (2)	70-41911-01	70-41911-01	70-41911-01	70-41911-01
63	Stk	Blower Shaft	70-21933-02	70-21933-02	70-21933-02	70-21933-02
64	Stk	Fixed Pitch Sheave	71-21932-03	71-21932-03	71-21932-03	71-21932-03
65		Blower Support - Left	AE-58950-02	AE-58950-02	AE-58950-02	AE-58950-02
66	Stk	Wheel	70-23589-01	70-23589-01	70-23589-01	70-23589-01
67		Cut-Off Tabulation	AE-64401-05	AE-64401-05	AE-64401-05	AE-64401-05
71		Blower Motor	See Blower Motor Group - Belt Drive			
72		Variable Pitch Sheave	See Blower Motor Group - Belt Drive			
73		Belt	See Blower Motor Group - Belt Drive			

No.	Notes	MODEL TECHNICAL VARIATION COOLING CAPACITY ELECTRICAL DESIGNATION DRIVE PACKAGE	RJPL- A 036 C L	RJPL- A 036 C M	RJPL- A 036 D L	RJPL- A 036 D M
BLOWER MOTOR GROUP - BELT DRIVE						
71	Stk	Blower Motor	51-42579-01	51-21909-01	51-42579-01	51-21909-01
72	Stk	Variable Pitch Sheave	71-40427-30	71-40427-25	71-40427-30	71-40427-25
73	Stk	Belt	71-40235-43	71-40235-43	71-40235-43	71-40235-43

No.	Notes	MODEL TECHNICAL VARIATION COOLING CAPACITY ELECTRICAL DESIGNATION DRIVE PACKAGE	RJPL- A 042 C L	RJPL- A 042 C M	RJPL- A 042 D L	RJPL- A 042 D M
BLOWER MOTOR GROUP - BELT DRIVE						
71	Stk	Blower Motor	51-42579-01	51-21909-01	51-42579-01	51-21909-01
72	Stk	Variable Pitch Sheave	71-40427-30	71-40427-25	71-40427-30	71-40427-25
73	Stk	Belt	71-40235-43	71-40235-43	71-40235-43	71-40235-43

No.	Notes	MODEL TECHNICAL VARIATION COOLING CAPACITY ELECTRICAL DESIGNATION DRIVE PACKAGE	RJPL- A 048 C L	RJPL- A 048 C M	RJPL- A 048 D L	RJPL- A 048 D M
BLOWER MOTOR GROUP - BELT DRIVE						
71	Stk	Blower Motor	51-42579-01	51-21909-01	51-42579-01	51-21909-01
72	Stk	Variable Pitch Sheave	71-40427-30	71-40427-25	71-40427-30	71-40427-25
73	Stk	Belt	71-40235-43	71-40235-43	71-40235-43	71-40235-43

No.	Notes	MODEL TECHNICAL VARIATION COOLING CAPACITY ELECTRICAL DESIGNATION DRIVE PACKAGE	RJPL- A 060 C L	RJPL- A 060 C M	RJPL- A 060 D L	RJPL- A 060 D M
BLOWER MOTOR GROUP - BELT DRIVE						
71	Stk	Blower Motor	51-21909-01	51-41936-01	51-21909-01	51-41936-01
72	Stk	Variable Pitch Sheave	71-40427-29	71-40427-25	71-40427-29	71-40427-25
73	Stk	Belt	71-40235-42	71-40235-43	71-40235-42	71-40235-43

No.	Notes	MODEL TECHNICAL VARIATION COOLING CAPACITY ELECTRICAL DESIGNATION DRIVE PACKAGE	RJPL- A 036-060 C/D L/M			
BLOWER MOTOR MOUNTING - BELT DRIVE						
68		Blower Bracket	AE-101124-01			
69		Blower Bracket - Drive Side	AE-101124-04			
69a		Grommet - (Flat)	56-18518-04			
69b		Cross Brace	AE-101467-01			
70		Motor Mount Assembly	AS-101340-01			

No.	Notes	MODEL TECHNICAL VARIATION COOLING CAPACITY	RJPL- A 036	RJPL- A 042	RJPL- A 048	RJPL- A 060
COIL GROUP						
EVAPORATOR COIL:						
74	Stk	Evaporator Coil	AS-102377-03	AS-102377-03	AS-102026-03	AS-102026-03
	Stk	Distributor Assembly	83-100844-08	83-100844-08	83-100844-09	83-100844-09
76		Top Air Stop	AE-58933-01	AE-58933-01	AE-58933-01	AE-58933-01
77		Top Coil Support	AE-58941-01	AE-58941-01	AE-58941-01	AE-58941-01
78	Stk	Indoor Coil Drain Pan	68-23559-01	68-23559-01	68-23559-01	68-23559-01
		Filter Keeper	AE-59168-01	AE-59168-01	AE-59168-01	AE-59168-01
84		Filter Channels (Center is two channels back-to-back) (3)	AE-58934-01	AE-58934-01	AE-58934-01	AE-58934-01
85		Filter - Disposable 16 x 25 x 1 (2)	54-17531-10	54-17531-10	54-17531-10	54-17531-10
CONDENSER COIL:						
82	Stk	Condenser Coil	AS-102376-03	AS-102376-03	AS-102383-01	AS-102383-01
	Stk	Distributor Assembly	83-102378-01	83-102378-01	83-102378-02	83-102378-02
REFRIGERATION:						
79	Stk	TXV	61-102213-06	61-102211-18	61-102211-19	61-102211-20
80	Stk,2	Reversing Valve - See Note 2	61-102498-06	61-102498-06	61-102498-06	61-102498-03
81	Stk	Solenoid Coil	61-101713-03	61-101713-03	61-101713-03	61-101713-03
	Stk	Wiring Harness - Reversing Valve	61-26149-01	61-26149-01	61-26149-01	61-26149-01

No.	Notes	MODEL TECHNICAL VARIATION COOLING CAPACITY ELECTRICAL DESIGNATION	RJPL- A 036 C	RJPL- A 036 D	RJPL- A 036 J
COMPRESSOR GROUP					
		Compressor ID:	7640/8434	7641/8435	7642/8436
86	Stk	Compressor	55-102045-05S	55-102045-04S	55-102045-03S
35a	Stk	Capacitor - Fan/Compressor	N/A	N/A	43-26271-41
	Stk	Compressor Wiring Harness (Molded Plug)	45-100834-80	45-100834-80	45-100834-80

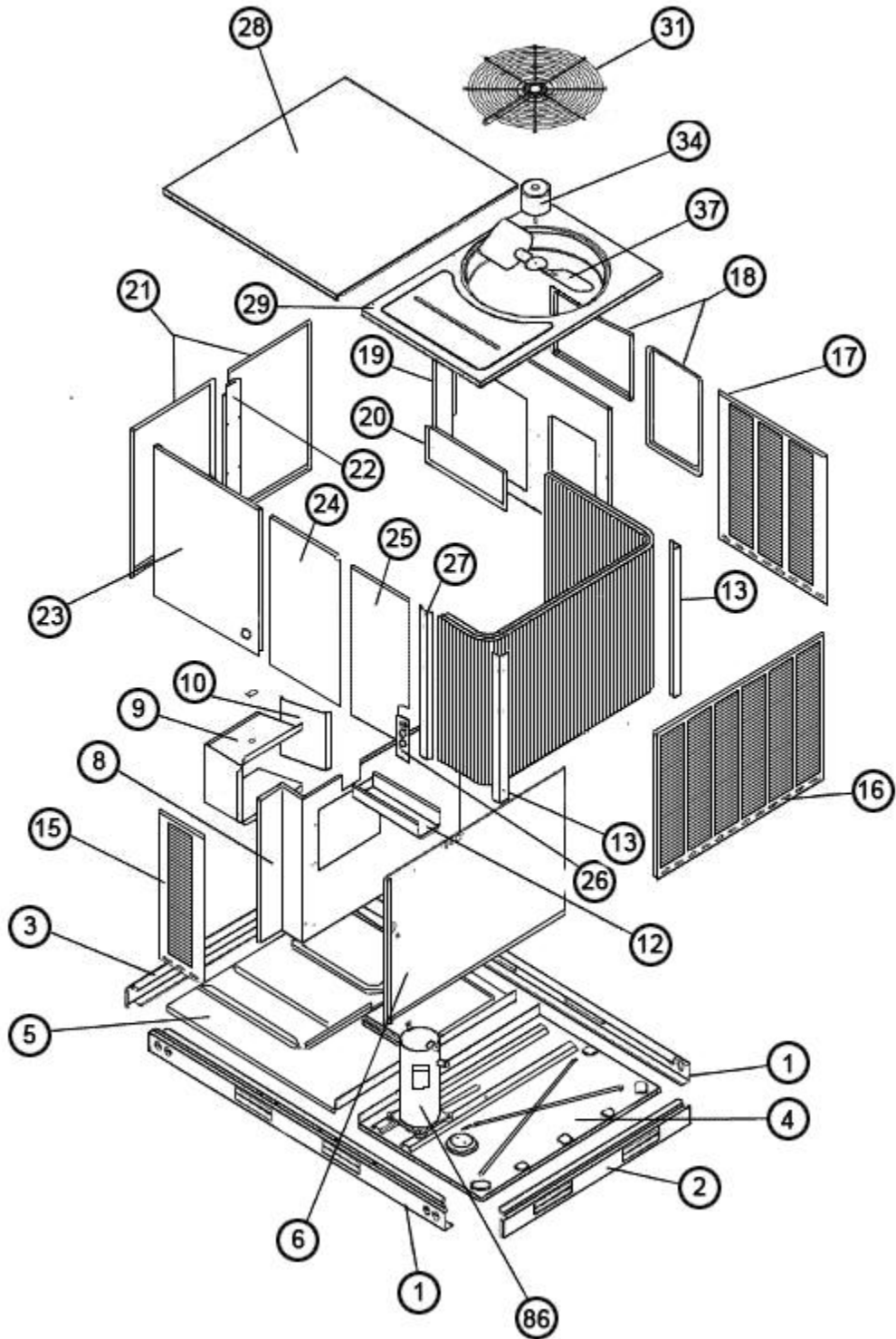
No.	Notes	MODEL TECHNICAL VARIATION COOLING CAPACITY ELECTRICAL DESIGNATION	RJPL- A 042 C	RJPL- A 042 D	RJPL- A 042 J
COMPRESSOR GROUP					
		Compressor ID:	7643/8437	7644/8438	7645/8439
86	Stk	Compressor	55-102045-16S	55-102045-25S	55-102045-12S
35a	Stk	Capacitor - Fan/Compressor	N/A	N/A	43-26271-41
	Stk	Compressor Wiring Harness (Molded Plug)	45-100834-80	45-100834-80	45-100834-80

No.	Notes	MODEL TECHNICAL VARIATION COOLING CAPACITY ELECTRICAL DESIGNATION	RJPL- A 048 C	RJPL- A 048 D	RJPL- A 048 J
COMPRESSOR GROUP					
		Compressor ID:	7646/8440	7647/8441	7648/8442
86	Stk	Compressor	55-102045-11S	55-102045-10S	55-102045-09S
35a	Stk	Capacitor - Fan/Compressor	N/A	N/A	43-26261-43
	Stk	Compressor Wiring Harness (Molded Plug)	45-100834-80	45-100834-80	45-100834-80

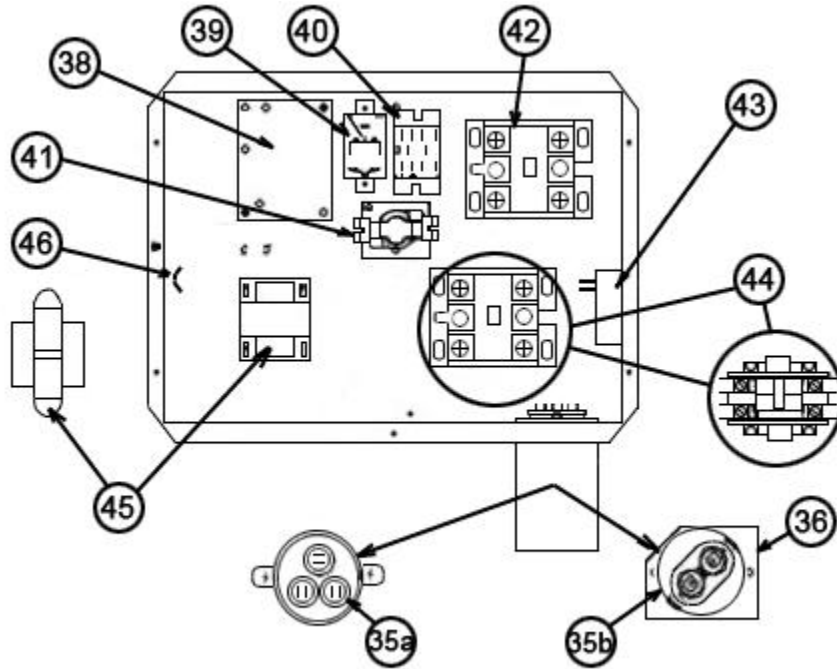
No.	Notes	MODEL TECHNICAL VARIATION COOLING CAPACITY ELECTRICAL DESIGNATION	RJPL- A 060 C	RJPL- A 060 D	RJPL- A 060 J
COMPRESSOR GROUP					
		Compressor ID:	7649/8443	7650/8444	7651/8445
86	Stk	Compressor	55-102045-27S	55-102045-28S	55-102045-26S
35a	Stk	Capacitor - Fan/Compressor	N/A	N/A	43-26271-47
	Stk	Compressor Wiring Harness (Molded Plug)	45-100834-80	45-100834-80	45-100834-80

No.	Notes	MODEL TECHNICAL VARIATION COOLING CAPACITY ELECTRICAL DRIVE PACKAGE	RJPL- A 036-060 C K/L/M	RJPL- A 036-060 D K/L/M	RJPL- A 036-060 J K
HEATER KITS					
		Heater Kit	RXJJ-A06C	RXJJ-A06D	RXJJ-A06J
		Heater Kit	RXJJ-A10C	RXJJ-A10D	RXJJ-A10J
		Heater Kit - (Canada Only)	RXJJ-A11C	RXJJ-A11D	RXJJ-A11J
		Heater Kit	RXJJ-A12C	RXJJ-A12D	RXJJ-A12J
		Heater Kit	RXJJ-A15C	RXJJ-A15D	RXJJ-A15J
		Heater Kit	RXJJ-A20C	RXJJ-A20D	RXJJ-A20J
		Heater Kit - (Canada Only)	RXJJ-A21C	RXJJ-A21D	RXJJ-A21J

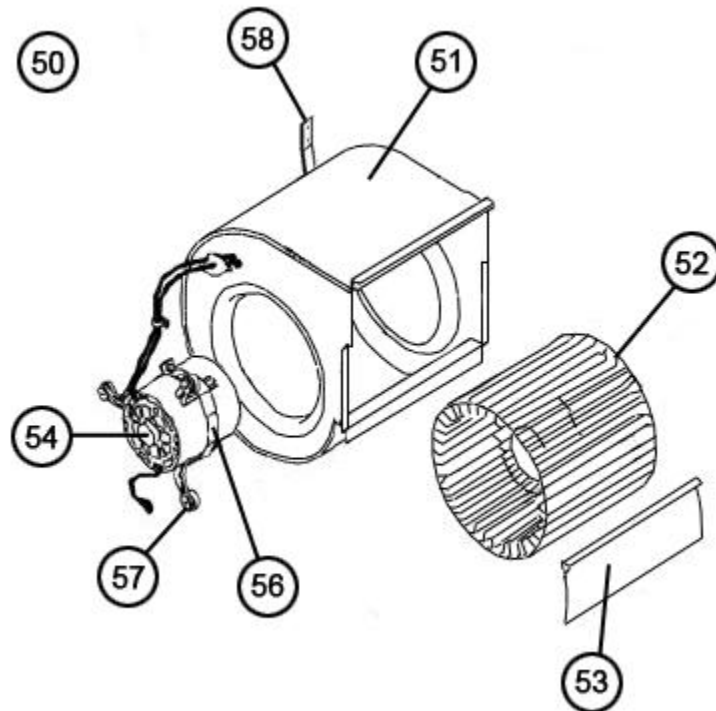
No.	Notes	MODEL TECHNICAL VARIATION COOLING CAPACITY	RJPL- A ALL		
OPTIONS AND ACCESSORIES					
		Economizer - Fully Modulating with Single Enthalpy	RXRD-MECM3		
		Dual Enthalpy Kit	RXRX-AV02		
		CO2 Sensor	RXRX-AR02		
		Power Exhaust - C Voltage	RXRX-BGF04C		
		Power Exhaust - D Voltage	RXRX-BGF04D		
		Fresh Air Damper Manual	RXRF-FBA1		
		Fresh Air Damper Motorized	RXRF-FBB1		
		Louver Kit - (3 Sides)	RXRX-AAD01B		
		Time Delay	RXMD-B01		
		Low Ambient Control	RXPZ-G01		



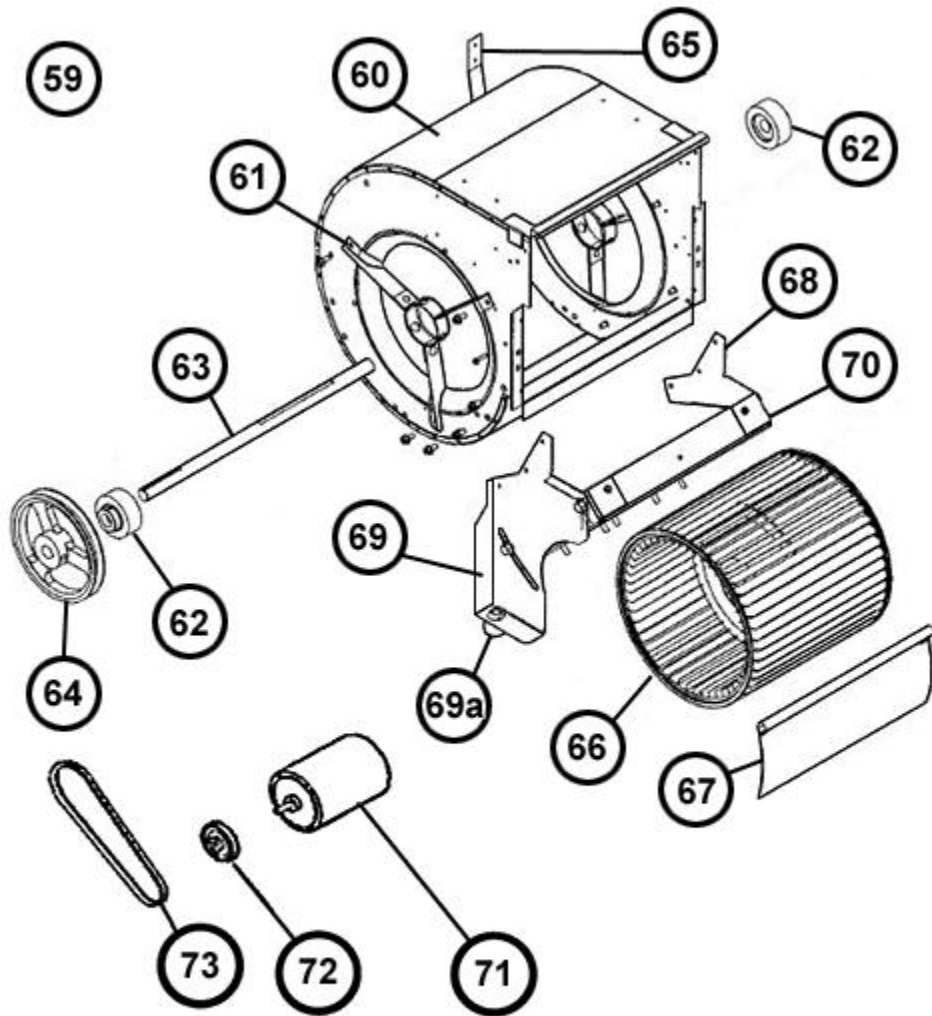
Exploded View



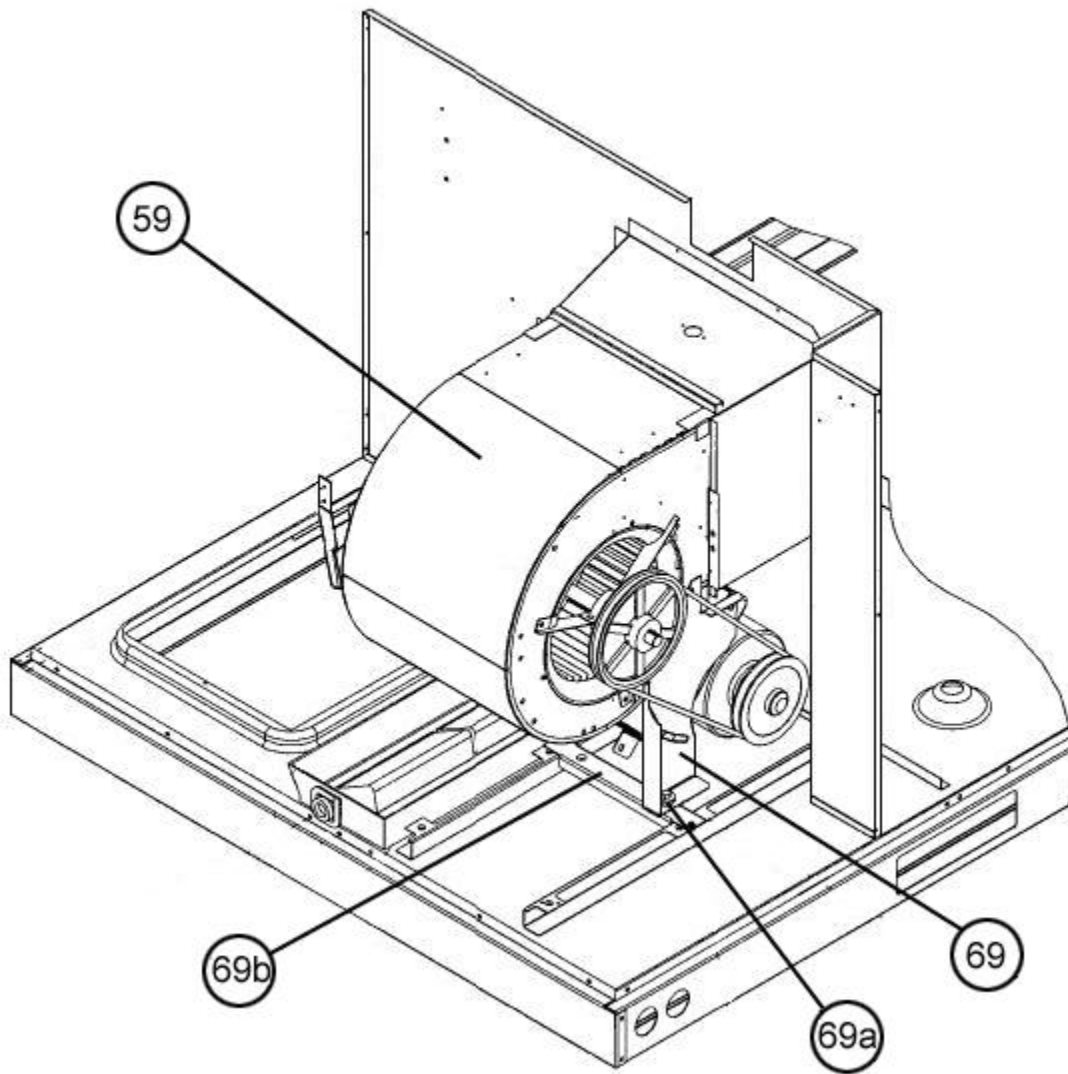
Control Box



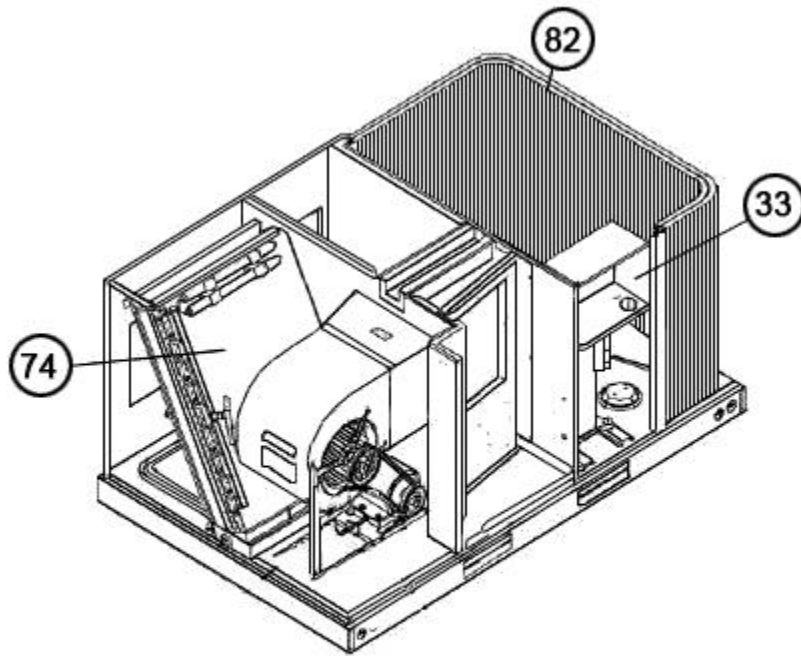
Blower Parts - Direct Drive



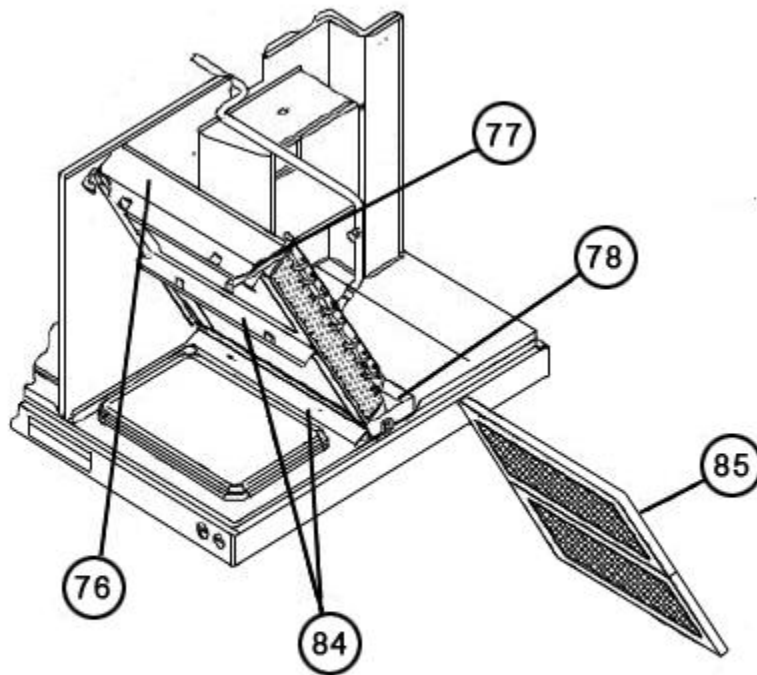
Blower Parts - Belt Drive



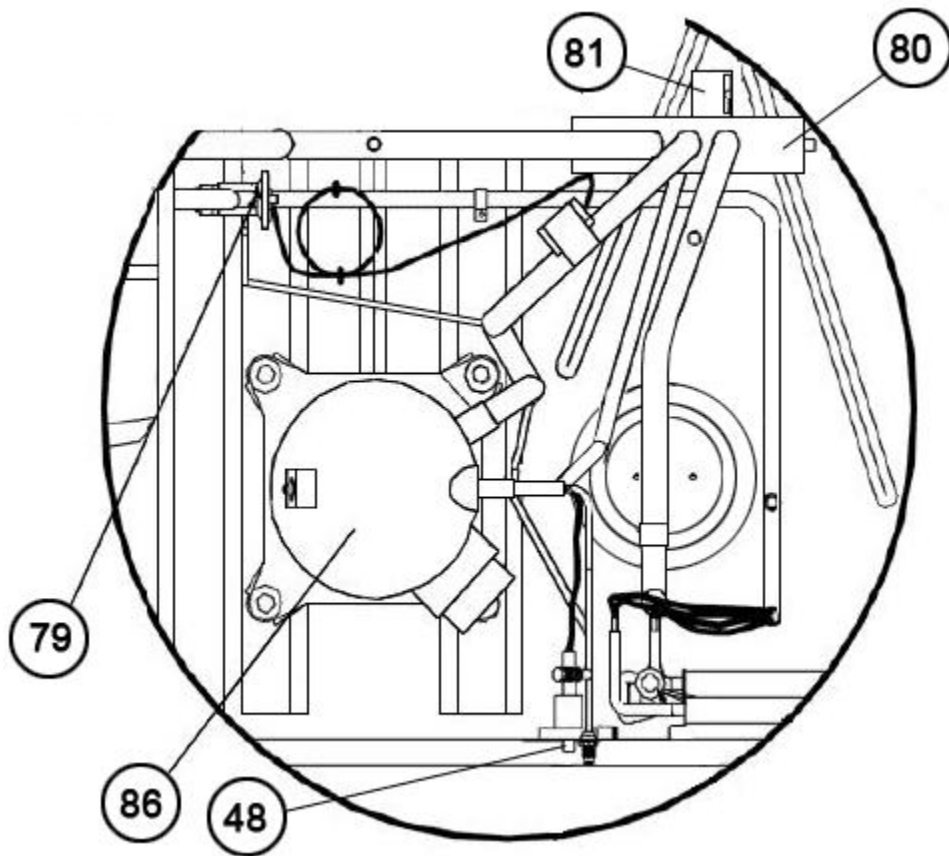
Blower Mounting - Belt Drive



Coil Group Cut-away View



Evaporator Coil - Filter Parts



Compressor - Refrigerator Group

NOTES

Stk It is recommended that stock be maintained for this part.

N/A Not Applicable

1 Defrost Relay is mounted on Defrost Control Board.

2 Reversing Valve may be different than originally supplied with unit. The replacement provides improved shifting performance.

DISCLAIMER: This document is intended to provide general replacement parts information to aid qualified service personnel in the repair of these models. The complete Model and Serial Number of the unit under repair should be specified when selecting and ordering replacement parts. Specifications and illustrations are subject to change without notice. Document 92-42800-RJPL-A supersedes all previous parts lists for these models. See <http://www.rheempartslists.net/92-42800-RJPL-A> for the latest revision of this document. The manufacturer assumes no obligation for errors or omissions. Service personnel must verify the proper and safe operation of equipment after the replacement of any original components.