



RSNM

Parts List
15-February-2014



*This parts list is current as of the above revision date.
See <http://www.rheempartslists.net/92-42800-RSNM.pdf> for the current revision.*

Package Air Conditioners

Table of Contents

Model Explanation	Page 3
Parts Numbers	
Panels - Miscellaneous (Granite-Steel Gray) 024-036	Page 5
Panels - Miscellaneous (Neutra Green) 024-036	Page 6
Panels - Miscellaneous (Granite-Steel Gray) 042-048	Page 7
Panels - Miscellaneous (Neutra Green) 042-048	Page 8
Panels - Miscellaneous (Granite-Steel Gray) 060	Page 9
Panels - Miscellaneous (Neutra Green) 060	Page 10
Electrical Group	Page 11
Fan Group	Page 12
Blower Group	Page 13
Coil Parts	Page 14
Compressor Group	Page 15
Heater Kits	Page 16
Accessories	Page 16
Drawings/Photographs	
Exploded View	Page 17
Control Panel	Page 18
Blower Assembly	Page 19
Coil Assembly	Page 20
Notes/Disclaimer	Page 21

MODEL NUMBER EXPLANATION

R	S	N	M	-	A	0	2	4	J	K	000
(1)	(2)	(3)	(4)		(5)		(6)		(7)	(8)	(9)

- | | |
|---|---|
| <p>(1) TRADEBRAND IDENTIFICATION</p> <p>(2) PRODUCT CLASSIFICATION
S= PACKAGED AIR CONDITIONER</p> <p>(3) EFFICIENCY DESIGNATION
N= 13 SEER</p> <p>(4) DESIGN SERIES
M= R-410A</p> <p>(5) FUTURE TECHNICAL DESIGNATIONS</p> <p>(6) COOLING CAPACITY
024= 24,000 BTU/HR
030= 30,000 BTU/HR
036= 36,000 BTU/HR
042= 42,000 BTU/HR
048= 48,000 BTU/HR
060= 60,000 BTU/HR</p> | <p>(7) ELECTRICAL DESIGNATION
J= 208-230/1/60
C= 208-230/3/60</p> <p>(8) DRIVE DESIGNATION
K= DIRECT DRIVE</p> <p>(9) HEATING CAPACITY
000=NO RESISTANCE HEAT
005=05 kW RESISTANCE HEAT
007=07 kW RESISTANCE HEAT
010=010 kW RESISTANCE HEAT
015=015 kW RESISTANCE HEAT
020=020 kW RESISTANCE HEAT</p> |
|---|---|

SERIAL NUMBER EXPLANATION (Units Produced before Sept. 2013)

7	1	6	6	F	2	7	0	4	9	9	9	9	9
(1)		(2)		(3)		(4)		(5)					

- (1) **COMPRESSOR IDENTIFICATION NUMBER**
- (2) **PRODUCTION LOCATION**
F = FORT SMITH, AR
- (3) **WEEK OF PRODUCTION**
- (4) **YEAR OF PRODUCTION**
- (5) **PRODUCTION NUMBER**

SERIAL NUMBER EXPLANATION (Units Produced after Sept. 2013)

W	0	8	1	3	9	9	9	9
(1)	(2)		(3)		(4)			

- (1) **PLANT CODE**
W = Nuevo Laredo (West)
- (2) **WEEK OF PRODUCTION**
- (3) **YEAR OF PRODUCTION**
- (4) **PRODUCTION NUMBER**

Note: For Compressor Identification Number, see Compressor Code on Rating Plate

No.	Notes	MODEL TECHNICAL VARIATION COOLING CAPACITY ELECTRICAL DESIGNATION	RSNM A 024 J	RSNM A 030 J	RSNM A 036 C	RSNM A 036 J
PANELS, MISCELLANEOUS PARTS (Granite Steel Gray - After F4411)						
1		Louver Panel	AS-100830-02H	AS-100830-02H	AS-100830-02H	AS-100830-02H
2		Corner Post	AS-100822-01H	AS-100822-01H	AS-100822-01H	AS-100822-01H
3		Front Post	AS-100821-01H	AS-100821-01H	AS-100821-01H	AS-100821-01H
4		Louver Panel	AS-100830-01H	AS-100830-01H	AS-100830-01H	AS-100830-01H
5		Insulation Retainer	AE-100831-02	AE-100831-02	AE-100831-02	AE-100831-02
6		Front Access Panel	AS-100823-01H	AS-100823-01H	AS-100823-01H	AS-100823-01H
7	Stk	Drainpan	68-100808-02	68-100808-02	68-100808-02	68-100808-02
8		Air Stop - Drainpan	AE-100825-01	AE-100825-01	AE-100825-01	AE-100825-01
9		Air Stop - Drainpan	AE-100825-02	AE-100825-02	AE-100825-02	AE-100825-02
10		Drainpan Tray	AS-100809-01H	AS-100809-01H	AS-100809-01H	AS-100809-01H
11		Control Access Panel	AS-100824-01H	AS-100824-01H	AS-100824-01H	AS-100824-01H
12		Control Panel Assembly	AS-100807-01	AS-100807-01	AS-100807-01	AS-100807-01
13		Base Rail (2) - Before F2208	N/A	N/A	N/A	N/A
13		Base Rail (2) - After F2208	AE-102792-01	AE-102792-01	AE-102792-01	AE-102792-01
14		Base Rail (2) - Before F2208	N/A	N/A	N/A	N/A
15		Base Pan	AS-100804-01H	AS-100804-01H	AS-100804-01H	AS-100804-01H
16		Right Panel Assembly	AS-100820-01H	AS-100820-01H	AS-100820-01H	AS-100820-01H
17		Blower Support	AE-100818-02	AE-100818-02	AE-100818-02	AE-100818-02
		Insulation Retainer (2)	AE-100831-01	AE-100831-01	AE-100831-01	AE-100831-01
		Duct Ring - 14 in.	58-100850-01	58-100850-01	58-100850-01	58-100850-01
18		Transition Bottom	AE-100815-01	AE-100815-01	AE-100815-01	AE-100815-01
19		Transition Top	AE-100815-02	AE-100815-02	AE-100815-02	AE-100815-02
20		Block Off Plate	AE-100816-01	AE-100816-01	AE-100816-01	AE-100816-01
21		Rear Panel Assembly	AS-100814-01H	AS-100814-01H	AS-100814-01H	AS-100814-01H
22		Rear Air Stop	AE-100810-01	AE-100810-01	AE-100810-01	AE-100810-01
23		Top Panel Assembly (Indoor)	AS-100828-01H	AS-100828-01H	AS-100828-01H	AS-100828-01H
24		Top Panel (Outdoor)	AS-100829-01H	AS-100829-01H	AS-100829-01H	AS-100829-01H
25		Grille	95-100906-07	95-100906-07	95-100906-07	95-100906-07
28		Blower Support	AE-100818-01	AE-100818-01	AE-100818-01	AE-100818-01
29		Bulkhead Cap Assembly	AS-100826-01H	AS-100826-01H	AS-100826-01H	AS-100826-01H
30		Bulkhead Assembly	AS-100812-01	AS-100812-01	AS-100812-01	AS-100812-01
37		Low Voltage Mount	AE-100839-01	AE-100839-01	AE-100839-01	AE-100839-01
38		Low Voltage Cover	AE-100839-02	AE-100839-02	AE-100839-02	AE-100839-02
43		Heater Kit Delete Plate (Mounted in Control Box)	AE-100842-01	AE-100842-01	AE-100842-01	AE-100842-01
49		Gaugeport Enclosure	AE-101352-01	AE-101352-01	AE-101352-01	AE-101352-01

No.	Notes	MODEL TECHNICAL VARIATION COOLING CAPACITY ELECTRICAL DESIGNATION	RSNM A 024 J	RSNM A 030 J	RSNM A 036 C	RSNM A 036 J
PANELS, MISCELLANEOUS PARTS (Neutra Green - Before F4411)						
1		Louver Panel	AS-100830-02A	AS-100830-02A	AS-100830-02A	AS-100830-02A
2		Corner Post	AS-100822-01A	AS-100822-01A	AS-100822-01A	AS-100822-01A
3		Front Post	AS-100821-01A	AS-100821-01A	AS-100821-01A	AS-100821-01A
4		Louver Panel	AS-100830-01A	AS-100830-01A	AS-100830-01A	AS-100830-01A
5		Insulation Retainer	AE-100831-02	AE-100831-02	AE-100831-02	AE-100831-02
6		Front Access Panel	AS-100823-01A	AS-100823-01A	AS-100823-01A	AS-100823-01A
7	Stk	Drainpan	68-100808-02	68-100808-02	68-100808-02	68-100808-02
8		Air Stop - Drainpan	AE-100825-01	AE-100825-01	AE-100825-01	AE-100825-01
9		Air Stop - Drainpan	AE-100825-02	AE-100825-02	AE-100825-02	AE-100825-02
10		Drainpan Tray	AS-100809-01A	AS-100809-01A	AS-100809-01A	AS-100809-01A
11		Control Access Panel	AS-100824-01A	AS-100824-01A	AS-100824-01A	AS-100824-01A
12		Control Panel Assembly	AS-100807-01	AS-100807-01	AS-100807-01	AS-100807-01
13		Base Rail (2) - Before F2208	AE-100803-02	AE-100803-02	AE-100803-02	AE-100803-02
13		Base Rail (2) - After F2208	AE-102792-01	AE-102792-01	AE-102792-01	AE-102792-01
14		Base Rail (2) - Before F2208	AE-100803-01	AE-100803-01	AE-100803-01	AE-100803-01
15		Base Pan	AS-100804-01A	AS-100804-01A	AS-100804-01A	AS-100804-01A
16		Right Panel Assembly	AS-100820-01A	AS-100820-01A	AS-100820-01A	AS-100820-01A
17		Blower Support	AE-100818-02	AE-100818-02	AE-100818-02	AE-100818-02
		Insulation Retainer (2)	AE-100831-01	AE-100831-01	AE-100831-01	AE-100831-01
		Duct Ring - 14 in.	58-100850-01	58-100850-01	58-100850-01	58-100850-01
18		Transition Bottom	AE-100815-01	AE-100815-01	AE-100815-01	AE-100815-01
19		Transition Top	AE-100815-02	AE-100815-02	AE-100815-02	AE-100815-02
20		Block Off Plate	AE-100816-01	AE-100816-01	AE-100816-01	AE-100816-01
21		Rear Panel Assembly	AS-100814-01A	AS-100814-01A	AS-100814-01A	AS-100814-01A
22		Rear Air Stop	AE-100810-01	AE-100810-01	AE-100810-01	AE-100810-01
23		Top Panel Assembly (Indoor)	AS-100828-01A	AS-100828-01A	AS-100828-01A	AS-100828-01A
24		Top Panel (Outdoor)	AS-100829-01A	AS-100829-01A	AS-100829-01A	AS-100829-01A
25		Grille	95-100906-07	95-100906-07	95-100906-07	95-100906-07
28		Blower Support	AE-100818-01	AE-100818-01	AE-100818-01	AE-100818-01
29		Bulkhead Cap Assembly	AS-100826-01A	AS-100826-01A	AS-100826-01A	AS-100826-01A
30		Bulkhead Assembly	AS-100812-01	AS-100812-01	AS-100812-01	AS-100812-01
37		Low Voltage Mount	AE-100839-01	AE-100839-01	AE-100839-01	AE-100839-01
38		Low Voltage Cover	AE-100839-02	AE-100839-02	AE-100839-02	AE-100839-02
43		Heater Kit Delete Plate (Mounted in Control Box)	AE-100842-01	AE-100842-01	AE-100842-01	AE-100842-01
49		Gaugeport Enclosure	AE-101352-01	AE-101352-01	AE-101352-01	AE-101352-01

No.	Notes	MODEL TECHNICAL VARIATION COOLING CAPACITY ELECTRICAL DESIGNATION	RSNM A 042 C	RSNM A 042 J	RSNM A 048 C	RSNM A 048 J
PANELS, MISCELLANEOUS PARTS (Granite Steel Gray - After F4411)						
1		Louver Panel	AS-100830-02H	AS-100830-02H	AS-100830-04H	AS-100830-04H
2		Corner Post	AS-100822-01H	AS-100822-01H	AS-100822-02H	AS-100822-02H
3		Front Post	AS-100821-01H	AS-100821-01H	AS-100821-02H	AS-100821-02H
4		Louver Panel	AS-100830-01H	AS-100830-01H	AS-100830-03H	AS-100830-03H
5		Insulation Retainer	AE-100831-02	AE-100831-02	AE-100831-03	AE-100831-03
6		Front Access Panel	AS-100823-01H	AS-100823-01H	AS-100823-02H	AS-100823-02H
7	Stk	Drainpan	68-100808-02	68-100808-02	68-100808-02	68-100808-02
8		Air Stop - Drainpan	AE-100825-01	AE-100825-01	AE-100825-01	AE-100825-01
9		Air Stop - Drainpan	AE-100825-02	AE-100825-02	AE-100825-02	AE-100825-02
10		Drainpan Tray	AS-100809-01H	AS-100809-01H	AS-100809-01H	AS-100809-01H
11		Control Access Panel	AS-100824-01H	AS-100824-01H	AS-100824-02H	AS-100824-02H
12		Control Panel Assembly	AS-100807-01	AS-100807-01	AS-100807-02	AS-100807-02
13		Base Rail (2) - Before F2208	N/A	N/A	N/A	N/A
13		Base Rail (2) - After F2208	AE-102792-01	AE-102792-01	AE-102792-01	AE-102792-01
14		Base Rail (2) - Before F2208	N/A	N/A	N/A	N/A
15		Base Pan	AS-100804-01H	AS-100804-01H	AS-100804-01H	AS-100804-01H
16		Right Panel Assembly	AS-100820-01H	AS-100820-01H	AS-100820-02H	AS-100820-02H
17		Blower Support	AE-100818-02	AE-100818-02	AE-100818-01	AE-100818-01
		Insulation Retainer (2)	AE-100831-01	AE-100831-01	AE-100831-03	AE-100831-03
		Duct Ring - 14 in.	58-100850-01	58-100850-01	58-100850-01	58-100850-01
18		Transition Bottom	AE-100815-01	AE-100815-01	AE-100815-01	AE-100815-01
19		Transition Top	AE-100815-02	AE-100815-02	AE-100815-02	AE-100815-02
20		Block Off Plate	AE-100816-01	AE-100816-01	AE-100816-01	AE-100816-01
21		Rear Panel Assembly	AS-100814-01H	AS-100814-01H	AS-100814-02H	AS-100814-02H
22		Rear Air Stop	AE-100810-01	AE-100810-01	AE-100810-02	AE-100810-02
23		Top Panel Assembly (Indoor)	AS-100828-01H	AS-100828-01H	AS-100828-01H	AS-100828-01H
24		Top Panel (Outdoor)	AS-100829-01H	AS-100829-01H	AS-100829-01H	AS-100829-01H
25		Grille	95-100906-07	95-100906-07	95-100906-07	95-100906-07
28		Blower Support	AE-100818-01	AE-100818-01	AE-100818-02	AE-100818-02
29		Bulkhead Cap Assembly	AS-100826-01H	AS-100826-01H	AS-100826-01H	AS-100826-01H
30		Bulkhead Assembly	AS-100812-01	AS-100812-01	AS-100812-02	AS-100812-02
37		Low Voltage Mount	AE-100839-01	AE-100839-01	AE-100839-01	AE-100839-01
38		Low Voltage Cover	AE-100839-02	AE-100839-02	AE-100839-02	AE-100839-02
43		Heater Kit Delete Plate (Mounted in Control Box)	AE-100842-01	AE-100842-01	AE-100842-01	AE-100842-01
49		Gauge Port Enclosure	AE-101352-01	AE-101352-01	AE-101352-01	AE-101352-01

No.	Notes	MODEL TECHNICAL VARIATION COOLING CAPACITY ELECTRICAL DESIGNATION	RSNM A 042 C	RSNM A 042 J	RSNM A 048 C	RSNM A 048 J
PANELS, MISCELLANEOUS PARTS (Neutra Green - Before F4411)						
1		Louver Panel	AS-100830-02A	AS-100830-02A	AS-100830-04A	AS-100830-04A
2		Corner Post	AS-100822-01A	AS-100822-01A	AS-100822-02A	AS-100822-02A
3		Front Post	AS-100821-01A	AS-100821-01A	AS-100821-02A	AS-100821-02A
4		Louver Panel	AS-100830-01A	AS-100830-01A	AS-100830-03A	AS-100830-03A
5		Insulation Retainer	AE-100831-02	AE-100831-02	AE-100831-03	AE-100831-03
6		Front Access Panel	AS-100823-01A	AS-100823-01A	AS-100823-02A	AS-100823-02A
7	Stk	Drainpan	68-100808-02	68-100808-02	68-100808-02	68-100808-02
8		Air Stop - Drainpan	AE-100825-01	AE-100825-01	AE-100825-01	AE-100825-01
9		Air Stop - Drainpan	AE-100825-02	AE-100825-02	AE-100825-02	AE-100825-02
10		Drainpan Tray	AS-100809-01A	AS-100809-01A	AS-100809-01A	AS-100809-01A
11		Control Access Panel	AS-100824-01A	AS-100824-01A	AS-100824-02A	AS-100824-02A
12		Control Panel Assembly	AS-100807-01	AS-100807-01	AS-100807-02	AS-100807-02
13		Base Rail (2) - Before F2208	AE-100803-02	AE-100803-02	AE-100803-02	AE-100803-02
13		Base Rail (2) - After F2208	AE-102792-01	AE-102792-01	AE-102792-01	AE-102792-01
14		Base Rail (2) - Before F2208	AE-100803-01	AE-100803-01	AE-100803-01	AE-100803-01
15		Base Pan	AS-100804-01A	AS-100804-01A	AS-100804-01A	AS-100804-01A
16		Right Panel Assembly	AS-100820-01A	AS-100820-01A	AS-100820-02A	AS-100820-02A
17		Blower Support	AE-100818-02	AE-100818-02	AE-100818-01	AE-100818-01
		Insulation Retainer (2)	AE-100831-01	AE-100831-01	AE-100831-03	AE-100831-03
		Duct Ring - 14 in.	58-100850-01	58-100850-01	58-100850-01	58-100850-01
18		Transition Bottom	AE-100815-01	AE-100815-01	AE-100815-01	AE-100815-01
19		Transition Top	AE-100815-02	AE-100815-02	AE-100815-02	AE-100815-02
20		Block Off Plate	AE-100816-01	AE-100816-01	AE-100816-01	AE-100816-01
21		Rear Panel Assembly	AS-100814-01A	AS-100814-01A	AS-100814-02A	AS-100814-02A
22		Rear Air Stop	AE-100810-01	AE-100810-01	AE-100810-02	AE-100810-02
23		Top Panel Assembly (Indoor)	AS-100828-01A	AS-100828-01A	AS-100828-01A	AS-100828-01A
24		Top Panel (Outdoor)	AS-100829-01A	AS-100829-01A	AS-100829-01A	AS-100829-01A
25		Grille	95-100906-07	95-100906-07	95-100906-07	95-100906-07
28		Blower Support	AE-100818-01	AE-100818-01	AE-100818-02	AE-100818-02
29		Bulkhead Cap Assembly	AS-100826-01A	AS-100826-01A	AS-100826-01A	AS-100826-01A
30		Bulkhead Assembly	AS-100812-01	AS-100812-01	AS-100812-02	AS-100812-02
37		Low Voltage Mount	AE-100839-01	AE-100839-01	AE-100839-01	AE-100839-01
38		Low Voltage Cover	AE-100839-02	AE-100839-02	AE-100839-02	AE-100839-02
43		Heater Kit Delete Plate (Mounted in Control Box)	AE-100842-01	AE-100842-01	AE-100842-01	AE-100842-01
49		Gauge Port Enclosure	AE-101352-01	AE-101352-01	AE-101352-01	AE-101352-01

No.	Notes	MODEL TECHNICAL VARIATION COOLING CAPACITY ELECTRICAL DESIGNATION	RSNM A 060 C	RSNM A 060 J
PANELS, MISCELLANEOUS PARTS (Granite Steel Gray - After F4411)				
1		Louver Panel	AS-100830-04H	AS-100830-04H
2		Corner Post	AS-100822-02H	AS-100822-02H
3		Front Post	AS-100821-02H	AS-100821-02H
4		Louver Panel	AS-100830-03H	AS-100830-03H
5		Insulation Retainer	AE-100831-03	AE-100831-03
6		Front Access Panel	AS-100823-02H	AS-100823-02H
7	Stk	Drainpan	68-100808-02	68-100808-02
8		Air Stop - Drainpan	AE-100825-01	AE-100825-01
9		Air Stop - Drainpan	AE-100825-02	AE-100825-02
10		Drainpan Tray	AS-100809-01H	AS-100809-01H
11		Control Access Panel	AS-100824-02H	AS-100824-02H
12		Control Panel Assembly	AS-100807-02	AS-100807-02
13		Base Rail (2) - Before F2208	N/A	N/A
13		Base Rail (2) - After F2208	AE-102792-01	AE-102792-01
14		Base Rail (2) - Before F2208	N/A	N/A
15		Base Pan	AS-100804-01H	AS-100804-01H
16		Right Panel Assembly	AS-100820-02H	AS-100820-02H
17		Blower Support	AE-100818-01	AE-100818-01
		Insulation Retainer (2)	AE-100831-03	AE-100831-03
		Duct Ring - 14 in.	58-100850-01	58-100850-01
18		Transition Bottom	AE-100815-01	AE-100815-01
19		Transition Top	AE-100815-02	AE-100815-02
20		Block Off Plate	AE-100816-01	AE-100816-01
21		Rear Panel Assembly	AS-100814-02H	AS-100814-02H
22		Rear Air Stop	AE-100810-02	AE-100810-02
23		Top Panel Assembly (Indoor)	AS-100828-01H	AS-100828-01H
24		Top Panel (Outdoor)	AS-100829-01H	AS-100829-01H
25		Grille	95-100906-07	95-100906-07
28		Blower Support	AE-100818-02	AE-100818-02
29		Bulkhead Cap Assembly	AS-100826-01H	AS-100826-01H
30		Bulkhead Assembly	AS-100812-02	AS-100812-02
37		Low Voltage Mount	AE-100839-01	AE-100839-01
38		Low Voltage Cover	AE-100839-02	AE-100839-02
43		Heater Kit Delete Plate (Mounted in Control Box)	AE-100842-01	AE-100842-01
49		Gauge Port Enclosure	AE-101352-01	AE-101352-01

No.	Notes	MODEL TECHNICAL VARIATION COOLING CAPACITY ELECTRICAL DESIGNATION	RSNM A 060 C	RSNM A 060 J
PANELS, MISCELLANEOUS PARTS (Neutra Green - Before F4411)				
1		Louver Panel	AS-100830-04A	AS-100830-04A
2		Corner Post	AS-100822-02A	AS-100822-02A
3		Front Post	AS-100821-02A	AS-100821-02A
4		Louver Panel	AS-100830-03A	AS-100830-03A
5		Insulation Retainer	AE-100831-03	AE-100831-03
6		Front Access Panel	AS-100823-02A	AS-100823-02A
7	Stk	Drainpan	68-100808-02	68-100808-02
8		Air Stop - Drainpan	AE-100825-01	AE-100825-01
9		Air Stop - Drainpan	AE-100825-02	AE-100825-02
10		Drainpan Tray	AS-100809-01A	AS-100809-01A
11		Control Access Panel	AS-100824-02A	AS-100824-02A
12		Control Panel Assembly	AS-100807-02	AS-100807-02
13		Base Rail (2) - Before F2208	AE-100803-02	AE-100803-02
13		Base Rail (2) - After F2208	AE-102792-01	AE-102792-01
14		Base Rail (2) - Before F2208	AE-100803-01	AE-100803-01
15		Base Pan	AS-100804-01A	AS-100804-01A
16		Right Panel Assembly	AS-100820-02A	AS-100820-02A
17		Blower Support	AE-100818-01	AE-100818-01
		Insulation Retainer (2)	AE-100831-03	AE-100831-03
		Duct Ring - 14 in.	58-100850-01	58-100850-01
18		Transition Bottom	AE-100815-01	AE-100815-01
19		Transition Top	AE-100815-02	AE-100815-02
20		Block Off Plate	AE-100816-01	AE-100816-01
21		Rear Panel Assembly	AS-100814-02A	AS-100814-02A
22		Rear Air Stop	AE-100810-02	AE-100810-02
23		Top Panel Assembly (Indoor)	AS-100828-01A	AS-100828-01A
24		Top Panel (Outdoor)	AS-100829-01A	AS-100829-01A
25		Grille	95-100906-07	95-100906-07
28		Blower Support	AE-100818-02	AE-100818-02
29		Bulkhead Cap Assembly	AS-100826-01A	AS-100826-01A
30		Bulkhead Assembly	AS-100812-02	AS-100812-02
37		Low Voltage Mount	AE-100839-01	AE-100839-01
38		Low Voltage Cover	AE-100839-02	AE-100839-02
43		Heater Kit Delete Plate (Mounted in Control Box)	AE-100842-01	AE-100842-01
49		Gauge Port Enclosure	AE-101352-01	AE-101352-01

No.	Notes	MODEL TECHNICAL VARIATION COOLING CAPACITY ELECTRICAL DESIGNATION	RSNM A 024 J	RSNM A 030 J	RSNM A 036 C	RSNM A 036 J
ELECTRICAL GROUP						
CONTROL BOX COMPONENTS:						
39		Terminal Strip	45-23591-01	45-23591-01	45-23591-01	45-23591-01
40	Stk	Transformer	46-100836-01	46-100836-01	46-100836-01	46-100836-01
41	Stk	Blower Time Delay	47-23433-05	47-23433-05	47-23433-05	47-23433-05
42	Stk	Relay	42-101208-01	42-101208-01	42-101208-01	42-101208-01
		Wire Harness - 6 pin to heater kit	45-104222-01	45-104222-01	45-104222-01	45-104222-01
44	Stk	Capacitor - Blower Motor	See Blower Group			
45		Capacitor Strap - Blower Motor Capacitor	AE-50892-01	AE-50892-01	AE-50892-01	AE-50892-01
46	Stk	Contactactor	42-42728-03	42-42728-03	42-22464-01	42-42728-03
47		Capacitor Strap - Compressor/Fan	AE-50892-56	AE-50892-01	AE-50892-01	AE-50892-01
48	Stk	Capacitor - Compressor/Fan	See Compressor Group			

No.	Notes	MODEL TECHNICAL VARIATION COOLING CAPACITY ELECTRICAL DESIGNATION	RSNM A 042 C	RSNM A 042 J	RSNM A 048 C	RSNM A 048 J
ELECTRICAL GROUP						
CONTROL BOX COMPONENTS:						
39		Terminal Strip	45-23591-01	45-23591-01	45-23591-01	45-23591-01
40	Stk	Transformer	46-100836-01	46-100836-01	46-100836-01	46-100836-01
41	Stk	Blower Time Delay	47-23433-05	47-23433-05	47-23433-05	47-23433-05
42	Stk	Relay	42-101208-01	42-101208-01	42-101208-01	42-101208-01
		Wire Harness - 6 pin to heater kit	45-104222-01	45-104222-01	45-104222-01	45-104222-01
44	Stk	Capacitor - Blower Motor	See Blower Group			
45		Capacitor Strap - Blower Motor Capacitor	AE-50892-01	AE-50892-01	AE-50892-01	AE-50892-01
46	Stk	Contactactor	42-22464-01	42-42728-03	42-22464-01	42-42728-03
47		Capacitor Strap - Compressor/Fan	AE-50892-56	AE-50892-56	AE-50892-01	AE-50892-56
48	Stk	Capacitor - Compressor/Fan	See Compressor Group			

No.	Notes	MODEL TECHNICAL VARIATION COOLING CAPACITY ELECTRICAL DESIGNATION	RSNM A 060 C	RSNM A 060 J		
ELECTRICAL GROUP						
CONTROL BOX COMPONENTS:						
39		Terminal Strip	45-23591-01	45-23591-01		
40	Stk	Transformer	46-100836-01	46-100836-01		
41	Stk	Blower Time Delay	47-23433-05	47-23433-05		
		Wire Harness - 6 pin to heater kit	45-104222-01	45-104222-01		
42	Stk	Relay	42-101208-01	42-101208-01		
44	Stk	Capacitor - Blower Motor	See Blower Group			
45		Capacitor Strap - Blower Motor Capacitor	AE-50892-01	AE-50892-01		
46	Stk	Contactactor	42-22464-01	42-42478-02		
47		Capacitor Strap - Compressor/Fan	AE-50892-01	AE-50892-01		
48	Stk	Capacitor - Compressor/Fan	See Compressor Group			

No.	Notes	MODEL TECHNICAL VARIATION COOLING CAPACITY ELECTRICAL DESIGNATION	RSNM A 024 J	RSNM A 030 J	RSNM A 036 C	RSNM A 036 J
FAN GROUP						
26	Stk	Fan Motor	51-100998-24	51-100998-24	51-100998-24	51-100998-24
27	Stk	Fan Blade	70-100580-08	70-100580-08	70-100580-08	70-100580-08
48		Capacitor - Fan Motor	See Compressor Group			

No.	Notes	MODEL TECHNICAL VARIATION COOLING CAPACITY ELECTRICAL DESIGNATION	RSNM A 042 C	RSNM A 042 J	RSNM A 048 C	RSNM A 048 J
FAN GROUP						
26	Stk	Fan Motor	51-100998-24	51-100998-24	51-100998-25	51-100998-25
27	Stk	Fan Blade	70-100580-08	70-100580-08	70-102345-01	70-102345-01
48		Capacitor - Fan Motor	See Compressor Group			
Note: The fan blade listed below is of a new design to further enhance sound characteristics and may be substituted for the above fan where applicable.						
27	Stk	Fan Blade	N/A	N/A	70-100580-09	70-100580-09

No.	Notes	MODEL TECHNICAL VARIATION COOLING CAPACITY ELECTRICAL DESIGNATION	RSNM A 060 C	RSNM A 060 J		
FAN GROUP						
26	Stk	Fan Motor	51-100998-25	51-100998-25		
27	Stk	Fan Blade	70-102345-01	70-102345-01		
48		Capacitor - Fan Motor	See Compressor Group			
Note: The fan blade listed below is of a new design to further enhance sound characteristics and may be substituted for the above fan where applicable.						
27	Stk	Fan Blade	70-100580-09	70-100580-09		

No.	Notes	MODEL TECHNICAL VARIATION COOLING CAPACITY ELECTRICAL DESIGNATION	RSNM A 024 J	RSNM A 030 J	RSNM A 036 C	RSNM A 036 J
BLOWER GROUP						
	Stk	Blower Assembly	AS-100841-01	AS-100841-02	AS-100841-03	AS-100841-03
51		Blower Housing w/Wheel	70-100840-01	70-100840-01	70-100840-01	70-100840-01
	Stk	Blower Wheel	703017	703017	703017	703017
52		Motor Band	70-19927-03	70-19927-03	70-19927-03	70-19927-03
53		Blower Arm Assembly (3)	70-19929-09	70-19929-09	70-19929-09	70-19929-09
54	Stk	Blower Motor	51-100837-01	51-100837-02	51-100837-03	51-100837-03
44	Stk	Capacitor - Blower Motor	43-100496-09	43-100496-39	43-100496-46	43-100496-46

No.	Notes	MODEL TECHNICAL VARIATION COOLING CAPACITY ELECTRICAL DESIGNATION	RSNM A 042 C	RSNM A 042 J	RSNM A 048 C	RSNM A 048 J
BLOWER GROUP						
	Stk	Blower Assembly	AS-100841-04	AS-100841-04	AS-100841-05	AS-100841-05
51		Blower Housing w/Wheel	70-100840-02	70-100840-02	70-100840-02	70-100840-02
	Stk	Blower Wheel	703016	703016	703016	703016
52		Motor Band	70-19927-03	70-19927-03	70-19927-03	70-19927-03
53		Blower Arm Assembly (3)	70-19929-09	70-19929-09	70-19929-09	70-19929-09
54	Stk	Blower Motor	51-100837-04	51-100837-04	51-100837-05	51-100837-05
44	Stk	Capacitor - Blower Motor	43-100496-42	43-100496-42	43-100496-42	43-100496-42

No.	Notes	MODEL TECHNICAL VARIATION COOLING CAPACITY ELECTRICAL DESIGNATION	RSNM A 060 C	RSNM A 060 J		
BLOWER GROUP						
	Stk	Blower Assembly	AS-100841-06	AS-100841-06		
51		Blower Housing w/Wheel	70-100840-02	70-100840-02		
	Stk	Blower Wheel	703016	703016		
52		Motor Band	70-19927-03	70-19927-03		
53		Blower Arm Assembly (3)	70-19929-09	70-19929-09		
54	Stk	Blower Motor	51-100837-06	51-100837-06		
44	Stk	Capacitor - Blower Motor	43-100496-49	43-100496-49		

No.	Notes	MODEL TECHNICAL VARIATION COOLING CAPACITY	RSNM A 024	RSNM A 030	RSNM A 036	RSNM A 042
COIL GROUP						
CONDENSER COIL:						
32	Stk	Condenser Coil (Outdoor Coil)	AS-100793-18	AS-100793-07	AS-100793-07	AS-100793-07
EVAPORATOR COIL:						
33	Stk	Evaporator Coil (Indoor Coil)	AS-100792-18	AS-100792-19	AS-100792-19	AS-100792-20
33	Stk	Evaporator Coil (Indoor Coil) - Tin Plated	AS-104684-18	AS-104684-19	AS-104684-19	AS-104684-20
7		Drain Pan - Evaporator Coil	See Panels - Miscellaneous			
34		Bulb Strainer	N/A	N/A	N/A	N/A
35	Stk	TXV	61-102213-09	61-102213-01	61-102211-16	61-102213-10
		TXV Bulb Strap Kit	64-101357-01	64-101357-01	64-101357-01	64-101357-01
36		Draintrap Assembly	68-100846-02	68-100846-02	68-100846-02	68-100846-02
REFRIGERATION GROUP:						
50		Gaugeport Manifold - Valve Body (2)	61-22369-04	61-22369-04	61-22369-04	61-22369-04
50		Gaugeport Manifold - Valve Core (2)	61-18551-01	61-18551-01	61-18551-01	61-18551-01

No.	Notes	MODEL TECHNICAL VARIATION COOLING CAPACITY	RSNM A 048	RSNM A 060		
COIL GROUP						
CONDENSER COIL:						
32	Stk	Condenser Coil (Outdoor Coil)	AS-100793-19	AS-100793-09		
EVAPORATOR COIL:						
33	Stk	Evaporator Coil (Indoor Coil)	AS-100792-21	AS-100792-22		
33	Stk	Evaporator Coil (Indoor Coil) - Tin Plated	AS-104684-21	AS-104684-22		
7		Drain Pan - Evaporator Coil	See Panels - Miscellaneous			
34		Bulb Strainer	N/A	N/A		
35	Stk	TXV	61-102213-12	61-102213-11		
		TXV Bulb Strap Kit	64-101357-01	64-101357-01		
36		Draintrap Assembly	68-100846-02	68-100846-02		
REFRIGERATION GROUP:						
50		Gaugeport Manifold - Valve Body (2)	61-22369-04	61-22369-04		
50		Gaugeport Manifold - Valve Core (2)	61-18551-01	61-18551-01		

No.	Notes	MODEL TECHNICAL VARIATION COOLING CAPACITY ELECTRICAL DESIGNATION	RSNM A 024 J	RSNM A 030 J	RSNM A 036 C	RSNM A 036 J
COMPRESSOR GROUP						
		Compressor ID:	7579	7580	7587	7581
31	Stk	Compressor	55-102045-24S	55-102045-02S	55-102045-05S	55-102045-03S
48	Stk	Run Capacitor - Fan/Compressor	43-26261-44	43-26271-09	43-100496-03	43-26271-41
55	Stk	Compressor Wiring Harness (Molded Plug)	45-100834-80	45-100834-80	45-100834-80	45-100834-80
		Compressor ID:			7588	7582
31	Stk	Compressor			55-102282-08	55-102282-07
48	Stk	Run Capacitor - Fan/Compressor			43-100496-03	43-26271-41
	Stk	Compressor Wiring Harness (Molded Plug)			45-102303-01	45-102303-01

No.	Notes	MODEL TECHNICAL VARIATION COOLING CAPACITY ELECTRICAL DESIGNATION	RSNM A 042 C	RSNM A 042 J	RSNM A 048 C	RSNM A 048 J
COMPRESSOR GROUP						
		Compressor ID:	7589	7583	7590	7584
31	Stk	Compressor	55-102045-16S	55-102045-12S	55-102045-08	55-102045-06S
48	Stk	Run Capacitor - Fan/Compressor	43-100496-03	43-26271-41	43-100496-09	43-26271-48
55	Stk	Compressor Wiring Harness (Molded Plug)	45-100834-80	45-100834-80	45-100834-80	45-100834-80
		Compressor ID:			7591	7585
31	Stk	Compressor			55-102282-10	55-102282-09
48	Stk	Run Capacitor - Fan/Compressor			43-100496-09	43-26261-39
	Stk	Compressor Wiring Harness (Molded Plug)			45-102303-01	45-102303-01

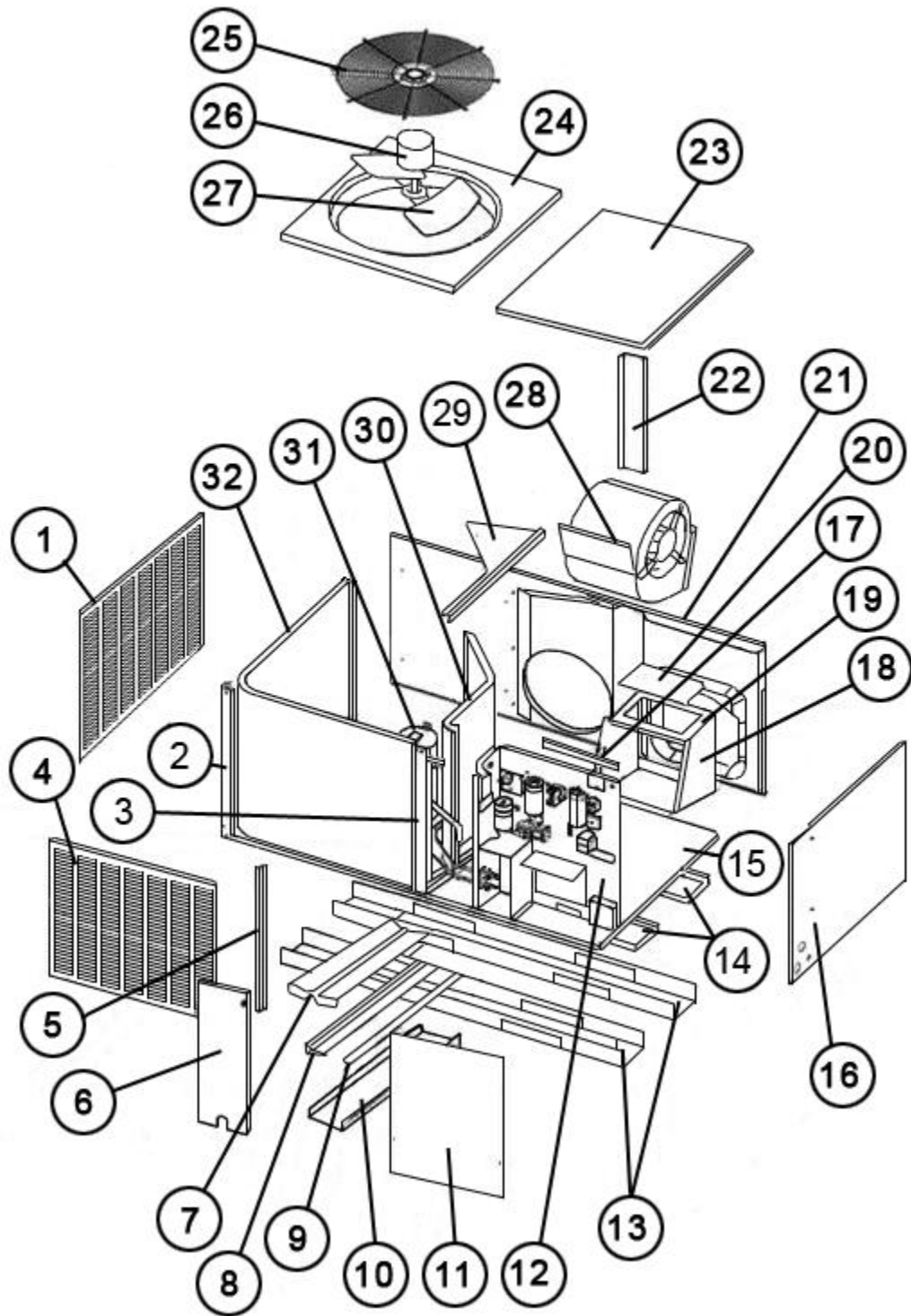
No.	Notes	MODEL TECHNICAL VARIATION COOLING CAPACITY ELECTRICAL DESIGNATION	RSNM A 060 C	RSNM A 060 J		
COMPRESSOR GROUP						
		Compressor ID:	7592	7586		
31	Stk	Compressor	55-102045-27S	55-102045-26S		
48	Stk	Run Capacitor - Fan/Compressor	43-100496-09	43-101662-47		
	Stk	Compressor Wiring Harness (Molded Plug)	45-100834-80	45-100834-80		

No.	Notes	MODEL	RSNM	RSNM	RSNM	RSNM
		TECHNICAL VARIATION	A	A	A	A
		COOLING CAPACITY	024	030	036	036
		ELECTRICAL DESIGNATION	J	J	C	J
HEATER KITS						
		Heater Kit (5 kW)	RXQJ-C05J	RXQJ-C05J	N/A	RXQJ-C05J
		Heater Kit (7 kW)	RXQJ-C07J	RXQJ-C07J	N/A	RXQJ-C07J
		Heater Kit (10 kW)	RXQJ-C10J	RXQJ-C10J	RXQJ-C10C	RXQJ-C10J
		Heater Kit (15 kW)	N/A	RXQJ-C15J	RXQJ-C15C	RXQJ-C15J

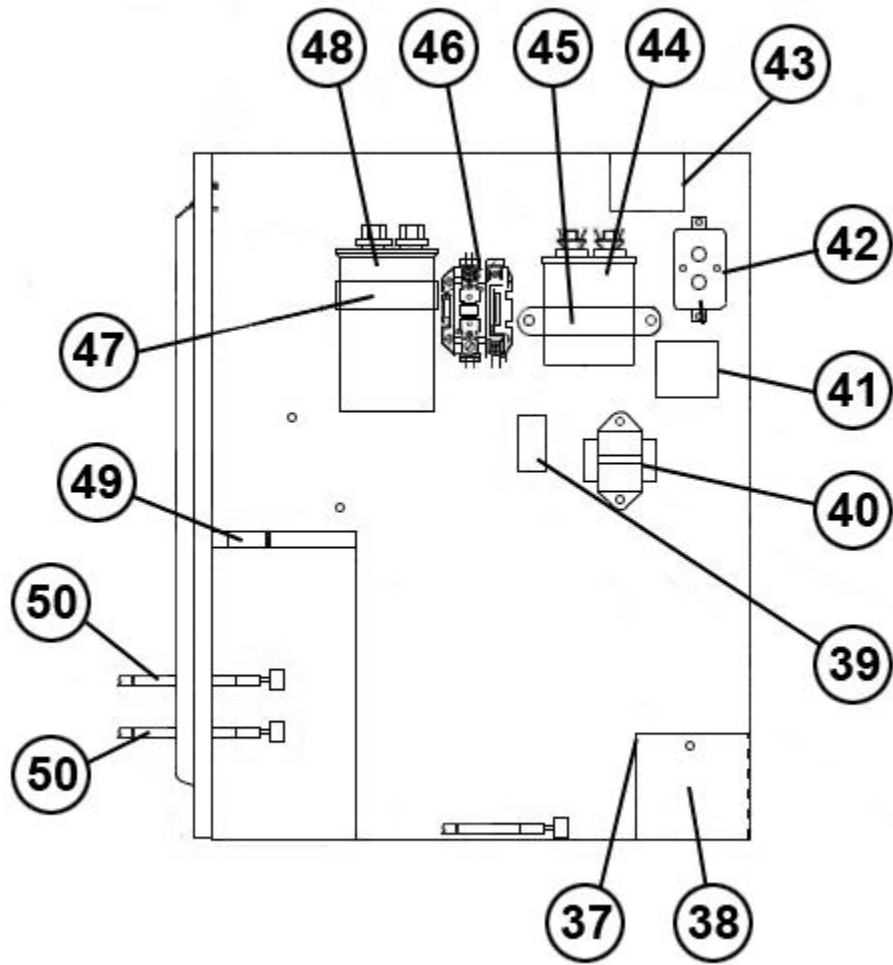
No.	Notes	MODEL	RSNM	RSNM	RSNM	RSNM
		TECHNICAL VARIATION	A	A	A	A
		COOLING CAPACITY	042	042	048	048
		ELECTRICAL DESIGNATION	C	J	C	J
HEATER KITS						
		Heater Kit (5 kW)	N/A	RXQJ-C05J	N/A	RXQJ-C05J
		Heater Kit (7 kW)	N/A	RXQJ-C07J	N/A	RXQJ-C07J
		Heater Kit (10 kW)	RXQJ-C10C	RXQJ-C10J	RXQJ-C10C	RXQJ-C10J
		Heater Kit (15 kW)	RXQJ-C15C	RXQJ-C15J	RXQJ-C15C	RXQJ-C15J
		Heater Kit (20 kW)	RXQJ-C20C	RXQJ-C20J	RXQJ-C20C	RXQJ-C20J

No.	Notes	MODEL	RSNM	RSNM		
		TECHNICAL VARIATION	A	A		
		COOLING CAPACITY	060	060		
		ELECTRICAL DESIGNATION	C	J		
HEATER KITS						
		Heater Kit (5 kW)	N/A	RXQJ-C05J		
		Heater Kit (7 kW)	N/A	RXQJ-C07J		
		Heater Kit (10 kW)	RXQJ-C10C	RXQJ-C10J		
		Heater Kit (15 kW)	RXQJ-C15C	RXQJ-C15J		
		Heater Kit (20 kW)	RXQJ-C20C	RXQJ-C20J		

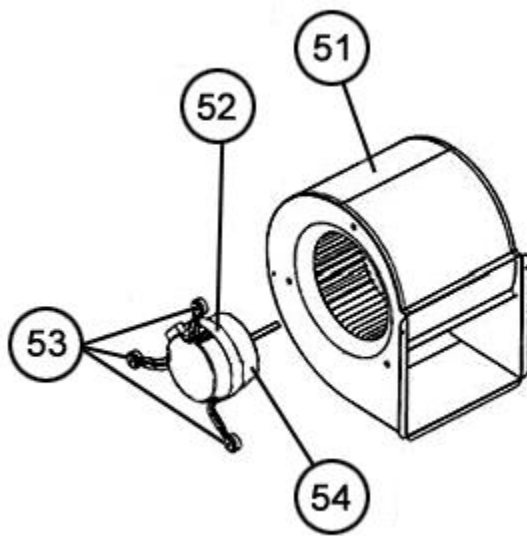
No.	Notes	MODEL	RSNM			
		TECHNICAL VARIATION	A			
		COOLING CAPACITY	ALL			
		ELECTRICAL DESIGNATION	ALL			
ACCESSORIES						
		Outdoor Thermostat	RXPT-A01			



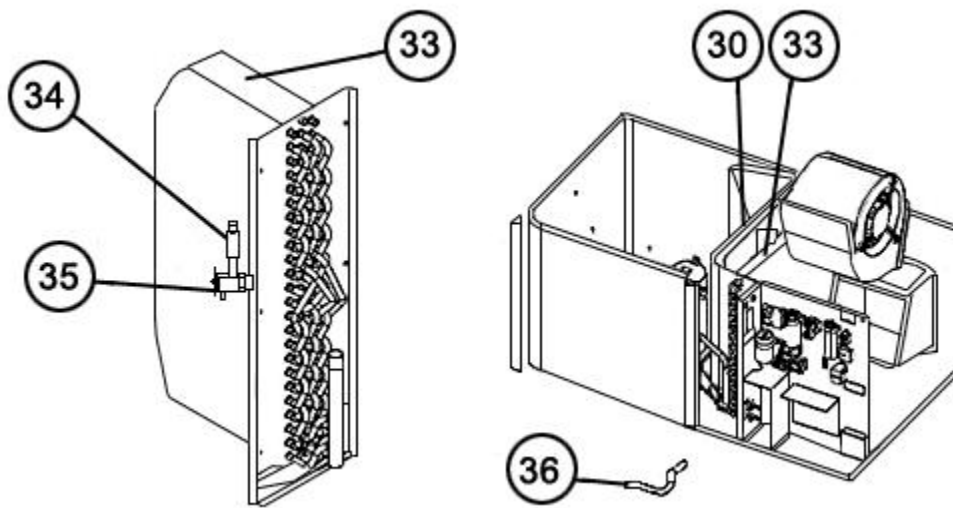
Exploded View



Control Panel



Blower Assembly



Coil Assembly

NOTES

Stk It is recommended that stock be maintained for this part.
N/A Not Applicable

DISCLAIMER: This document is intended to provide general replacement parts information to aid qualified service personnel in the repair of these models. The complete Model and Serial Number of the unit under repair should be specified when selecting and ordering replacement parts. Specifications and illustrations are subject to change without notice. Document 92-42800-RSNM supersedes all previous parts lists for these models. See <http://www.rheempartslists.net/92-42800-RSNM> for the latest revision of this document. The manufacturer assumes no obligation for errors or omissions. Service personnel must verify the proper and safe operation of equipment after the replacement of any original components.