



RACA14

Parts List
06-November-2014



*This parts list is current as of the above revision date.
See <http://www.rheempartslists.net/92-42800-RACA14.pdf> for the current revision.*

Package Air Conditioners

Table of Contents

Model Explanation	Page 3
Parts Numbers	
Panels - Miscellaneous 024-036	Page 4
Panels - Miscellaneous 042-060	Page 5
Electrical Group (1)	Page 6
Electrical Group (2)	Page 7
Fan Group	Page 8
Blower Group	Page 9
Coil Parts (1)	Page 10
Coil Parts (2)	Page 11
Compressor Group	Page 12
Heater Kits	Page 13
Accessories	Page 13
Drawings/Photographs	
Exploded View	Page 14
Control Access Panel, Evap Coil	Page 15
Evaporator Coil	Page 15
Electrical Control Box (1)	Page 16
Electrical Control Box (2)	Page 17
Bushings - Bulkhead Wiring	Page 18
Blower Assembly	Page 19
Coil Frames, Drainpan	Page 20
Condenser Coil 2 Ton	Page 21
Condenser Coil 2.5 - 3 Ton	Page 22
Condenser Coil 3.5 - 4 - 5 Ton	Page 23
Compressor and Refrigeration Components	Page 24
Limit Control - Blower Shelf	Page 25
Evaporator Coil Gaskets	Page 26
Heater Mounting - Panels	Page 27
Notes/Disclaimer	Page 28

MODEL NUMBER EXPLANATION

R	A	C	A	1	4	0	3	6	A	J	D	05	1	A	A	-
(1)	(2)	(3)	(4)	(5)				(6)	(7)	(8)	(9)	(10)	(11)	(12)	(13)	

(1) TRADENAME IDENTIFICATION

(2) PRODUCT CLASSIFICATION

AC = Package Air Conditioner

(3) CABINET TYPE

A = Residential Package

(4) SERIES

14 = 14 SEER

(5) COOLING CAPACITY (Ton)

024 = 2 ton 042 = 3.5 ton
 030 = 2.5 ton 048 = 4 ton
 036 = 3 ton 060 = 5 ton

(6) MAJOR SERIES

(7) ELECTRICAL DESIGNATION

J = 208/230V - 1 PH - 60 HZ
 C = 208/230V - 3 PH - 60 HZ
 D = 460V - 3 PH - 60 HZ
 Y = 575 - 3 PH - 60 HZ
 S = 200V - 1 PH - 50 HZ
 T = 220/240V - 1 PH - 50 HZ
 P = 200/220V - 3 PH - 50 HZ
 N = 380/415V - 3 PH - 50 HZ
 V = 380V - 3 PH - 60 HZ

(8) DRIVE PACKAGE

A = Belt - Low Static
 B = Belt - Medium Static
 C = Belt - High Static
 D = Direct Drive (PSC)
 E = Direct Drive VFD
 F = Belt VFD - Low Static
 G = Belt VFD - Medium Static
 H = Belt VFD - High Static
 T = Constant Torque
 V = Variable Speed

(9) HEATING CAPACITY

00 = no heat
 05 = 05 kW
 10 = 10 kW
 15 = 15 kW

(10) HEAT CONFIGURATION

1 = Single Stage
 2 = Two Stage
 0 = No Heat

(11) CONTROL

A = Non-Communicating
 C = Clear Control

(12) MINOR SERIES

A = 1st Design

(13) Option Code

SERIAL NUMBER EXPLANATION

F	0	8	1	3	9	9	9	9
(1)	(2)	(3)	(4)					

(1) PLANT CODE

(2) WEEK (DATE CODE)

(3) YEAR

(4) PRODUCTION NUMBER

Note: For Compressor Identification Number, see Compressor Code on Rating Plate

No.	Notes	MODEL COOLING CAPACITY MAJOR SERIES	RACA14 024 A	RACA14 030 A	RACA14 036 A
SHEET METAL PARTS, MISCELLANEOUS					
1		Front Base Pan	AS-58628-07H	AS-58628-07H	AS-58628-07H
2		Base Rail (2)	AE-58562-03	AE-58562-03	AE-58562-03
3		Base Rail (2)	AE-58562-04	AE-58562-04	AE-58562-04
4		Back Base Pan	AS-58607-64	AS-58607-64	AS-58607-64
5		Blower Shelf	AS-58630-01	AS-58630-01	AS-58630-01
6		Blower Shelf Transition	AS-58607-19	AS-58607-19	AS-58607-19
7		Divider Panel	AS-58607-03	AS-58607-03	AS-58607-03
8		Bulkhead Assembly	AS-58607-68	AS-58607-62	AS-58607-62
9		Heater Mounting Panel	AS-58607-16	AS-58607-16	AS-58607-16
10		Extension - Heater Mounting Panel	N/A	N/A	N/A
11		Corner Post	AS-58607-39H	AS-58607-39H	AS-58607-39H
12		Blower Access Panel	AS-58607-09H	AS-58607-09H	AS-58607-09H
13		End Panel	AS-58607-04H	AS-58607-04H	AS-58607-04H
14		Supply Cover - Downflow	AS-58607-06H	AS-58607-06H	AS-58607-06H
14		Supply Cover - Side Option	AS-58607-35H	AS-58607-35H	AS-58607-35H
15		Return Cover - Downflow	AS-58607-05H	AS-58607-05H	AS-58607-05H
15		Return Cover - Side Option	AS-58607-34H	AS-58607-34H	AS-58607-34H
16		Top Panel	AS-58607-67H	AS-58607-67H	AS-58607-67H
17		Grille	95-100906-08	95-100906-08	95-100906-08
18		Filter Access Panel	AS-58607-08H	AS-58607-08H	AS-58607-08H
19		Condenser Louver Panel	AS-58607-61H	AS-58607-61H	AS-58607-61H
20		Center Post	AS-58569-06H	AS-58569-06H	AS-58569-06H
21		Control Access Panel	AS-58568-02H	AS-58568-02H	AS-58568-02H
22		Control Box (w/o components)	AE-58597-01	AE-58597-01	AE-58597-01
23		Control Box Cover	AE-58598-01	AE-58598-01	AE-58598-01
24		Blank-Off Plate (models without heat only)	AS-58607-17	AS-58607-17	AS-58607-17
25		Heater Kit	See Accessories		
27		Bulkhead Valve (2)	61-22369-04	61-22369-04	61-22369-04
28		Bulkhead Valve Locknut (2)	63-22368-01	63-22368-01	63-22368-01
		Bulkhead Valve Cap (2)	83-100635-01	83-100635-01	83-100635-01
A		Star Bushing	45-18515-01	45-18515-01	45-18515-01
B		Nylon Snap Bushing	45-17057-02	45-17057-02	45-17057-02
C		Strain Relief Bushing	45-17055-11	45-17055-11	45-17055-11
D		Neoprene Gasket - 1/8 x 1/2	68-22079-04	68-22079-04	68-22079-04
E		Neoprene Gasket - 1/4 x 1/2	68-22079-06	68-22079-06	68-22079-06
F		Gasket 3/8 x 3/4	68-20243-02	68-20243-02	68-20243-02
G		Gasket 1/2 x 3/4	68-20243-01	68-20243-01	68-20243-01

No.	Notes	MODEL	RACA14	RACA14	RACA14
		COOLING CAPACITY MAJOR SERIES	042 A	048 A	060 A
SHEET METAL PARTS, MISCELLANEOUS					
1		Front Base Pan	AS-58628-07H	AS-58628-07H	AS-58628-07H
2		Base Rail (2)	AE-58562-03	AE-58562-03	AE-58562-03
3		Base Rail (2)	AE-58562-04	AE-58562-04	AE-58562-04
4		Back Base Pan	AS-58607-64	AS-58607-64	AS-58607-64
5		Blower Shelf	AS-58630-01	AS-58630-01	AS-58630-01
6		Blower Shelf Transition	AS-58607-19	AS-58607-19	AS-58607-19
7		Divider Panel	AS-58607-03	AS-58607-03	AS-58607-03
8		Bulkhead Assembly	AS-58607-55	AS-58607-57	AS-58607-57
9		Heater Mounting Panel	AS-58607-16	AS-58607-16	AS-58607-16
10		Extension - Heater Mounting Panel	N/A	AS-58607-42	AS-58607-42
11		Corner Post	AS-58607-39H	AS-58607-53H	AS-58607-46H
12		Blower Access Panel	AS-58607-09H	AS-58607-47H	AS-58607-47H
13		End Panel	AS-58607-04H	AS-58607-48H	AS-58607-48H
14		Supply Cover - Downflow	AS-58607-06H	AS-58607-06H	AS-58607-06H
14		Supply Cover - Side Option AKA, BVA	AS-58607-35H	AS-58607-35H	AS-58607-35H
15		Return Cover - Downflow	AS-58607-05H	AS-58607-05H	AS-58607-05H
15		Return Cover - Side Option AKA, BVA	AS-58607-34H	AS-58607-34H	AS-58607-34H
16		Top Panel	AS-58607-67H	AS-58607-67H	AS-58607-67H
17		Grille	95-100906-08	95-100906-08	95-100906-08
18		Filter Access Panel	AS-58607-08H	AS-58607-49H	AS-58607-49H
19		Condenser Louver Panel	AS-58607-61H	AS-58607-56H	AS-58607-56H
20		Center Post	AS-58569-06H	AS-58569-08H	AS-58569-08H
21		Control Access Panel	AS-58568-02H	AS-58568-04H	AS-58568-04H
22		Control Box (w/o components)	AE-58597-01	AE-58597-01	AE-58597-01
23		Control Box Cover	AE-58598-01	AE-58598-01	AE-58598-01
24		Blank-Off Plate (models without heat only)	AS-58607-17	AS-58607-17	AS-58607-17
25		Heater Kit	See Accessories		
27		Bulkhead Valve (2)	61-22369-04	61-22369-04	61-22369-04
28		Bulkhead Valve Locknut (2)	63-22368-01	63-22368-01	63-22368-01
		Bulkhead Valve Cap (2)	83-100635-01	83-100635-01	83-100635-01
A		Star Bushing	45-18515-01	45-18515-01	45-18515-01
B		Nylon Snap Bushing	45-17057-02	45-17057-02	45-17057-02
C		Strain Relief Bushing	45-17055-11	45-17055-11	45-17055-11
D		Neoprene Gasket - 1/8 x 1/2	68-22079-04	68-22079-04	68-22079-04
E		Neoprene Gasket - 1/4 x 1/2	68-22079-06	68-22079-06	68-22079-06
F		Gasket 3/8 x 3/4	68-20243-02	68-20243-02	68-20243-02
G		Gasket 1/2 x 3/4	68-20243-01	68-20243-01	N/A

No.	Notes	MODEL COOLING CAPACITY MAJOR SERIES ELECTRICAL DESIGNATION	RACA14	RACA14	RACA14	RACA14	RACA14	
			024 A J	030 A J	036 A J	042 A J	048 A J	
ELECTRICAL GROUP								
31		Terminal Strip	45-23591-01	45-23591-01	45-23591-01	45-23591-01	45-23591-01	
33	Stk	Contactora	42-102664-06	42-102664-06	42-102664-06	42-102664-06	42-102664-06	
34	Stk	Sequencing Relay	42-21593-05	42-21593-05	42-21593-05	N/A	N/A	
35	Stk	Transformer	46-18788-05	46-18788-05	46-18788-05	46-18788-05	46-18788-05	
36		Ground Lug	45-19000-01	45-19000-01	45-19000-01	45-19000-01	45-19000-01	
54a		Capacitor - Blower Motor	See Blower Group					
57	Stk	Blower Relay	42-101208-01	42-101208-01	42-101208-01	42-21571-08	42-21571-08	
73		Capacitor - Compressor/Fan	See Compressor Group					
84		Limit Control - Blower Shelf	47-25334-01	47-25334-01	47-25334-01	47-25334-01	47-25334-01	
85		Star Bushing	45-18515-01	45-18515-01	45-18515-01	45-18515-01	45-18515-01	
		Start Relay	See Compressor Group					
		Start Capacitor	See Compressor Group					
		Compressor Wiring Harness (Molded Plug)	See Compressor Group					
88		Wiring Harness - 6 pin to heater kit	45-104222-01	45-104222-01	45-104222-01	45-104222-01	45-104222-01	
		Leadwire - from Flame Sensor to 9 pin Wiring Harness Plug	45-25323-02	45-25323-02	45-25323-02	45-25323-02	45-25323-02	
		Capacitor Adaptor Plate (2 in. round capacitor)	AE-54609-01	AE-54609-01	AE-54609-01	AE-54609-01	AE-54609-01	
		Capacitor Adaptor Plate (2 in. X 1-1/4 in. oval capacitor)	AE-54609-02	AE-54609-02	AE-54609-02	AE-54609-02	AE-54609-02	

No.	Notes	MODEL COOLING CAPACITY MAJOR SERIES ELECTRICAL DESIGNATION	RACA14	RACA14	RACA14			
			036 A C	042 A C	048 A C			
ELECTRICAL GROUP								
31		Terminal Strip	45-23591-01	45-23591-01	45-23591-01			
33	Stk	Contactora	42-102664-08	42-102664-08	42-102664-08			
34	Stk	Sequencing Relay	42-21593-05	N/A	N/A			
35	Stk	Transformer	46-18788-05	46-18788-05	46-18788-05			
36		Ground Lug	45-19000-01	45-19000-01	45-19000-01			
54a		Capacitor - Blower Motor	See Blower Group					
57	Stk	Blower Relay	42-101208-01	42-21571-08	42-21571-08			
73		Capacitor - Compressor/Fan	See Compressor Group					
84		Limit Control - Blower Shelf	47-25334-01	47-25334-01	47-25334-01			
85		Star Bushing	45-18515-01	45-18515-01	45-18515-01			
		Start Relay	See Compressor Group					
		Start Capacitor	See Compressor Group					
		Compressor Wiring Harness (Molded Plug)	See Compressor Group					
88		Wiring Harness - 6 pin to heater kit	45-104222-01	45-104222-01	45-104222-01			
		Leadwire - from Flame Sensor to 9 pin Wiring Harness Plug	45-25323-02	45-25323-02	45-25323-02			
		Capacitor Adaptor Plate (2 in. round capacitor)	AE-54609-01	AE-54609-01	AE-54609-01			
		Capacitor Adaptor Plate (2 in. X 1-1/4 in. oval capacitor)	AE-54609-02	AE-54609-02	AE-54609-02			

No.	Notes	MODEL COOLING CAPACITY MAJOR SERIES ELECTRICAL DESIGNATION	RACA14	RACA14
			060 A C	060 A J
ELECTRICAL GROUP				
31		Terminal Strip	45-23591-01	45-23591-01
33	Stk	Contactors	42-102664-08	42-102664-06
34	Stk	Sequencing Relay	N/A	N/A
35	Stk	Transformer	46-18788-05	46-18788-05
36		Ground Lug	45-19000-01	45-19000-01
54a		Capacitor - Blower Motor	See Bower Group	
57	Stk	Blower Relay	42-21571-08	42-21571-08
73		Capacitor - Compressor/Fan	See Compressor Group	
84		Limit Control - Blower Shelf	47-25334-01	47-25334-01
85		Star Bushing	45-18515-01	45-18515-01
		Start Relay	See Compressor Group	
		Start Capacitor	See Compressor Group	
		Compressor Wiring Harness (Molded Plug)	See Compressor Group	
88		Wiring Harness - 6 pin to heater kit	45-104222-01	45-104222-01
		Leadwire - from Flame Sensor to 9 pin Wiring Harness Plug	45-25323-02	45-25323-02
		Capacitor Adaptor Plate (2 in. round capacitor)	AE-54609-01	AE-54609-01
		Capacitor Adaptor Plate (2 in. X 1-1/4 in. oval capacitor)	AE-54609-02	AE-54609-02

No.	Notes	MODEL	RACA14	RACA14	RACA14	RACA14	RACA14	RACA14	
		COOLING CAPACITY	024	030	036	042	048	060	
		MAJOR SERIES	A	A	A	A	A	A	
		ELECTRICAL DESIGNATION	J	J	J	J	J	J	
FAN GROUP									
37	Stk	Fan Motor	51-100999-24	51-100999-24	51-100999-24	51-100999-24	51-100998-29	51-100998-29	
38	Stk	Fan Blade	70-101323-19	70-101323-19	70-101323-19	70-101323-19	70-23594-02	70-23594-03	
73		Capacitor - Compressor/Fan Motor	See Compressor Group						

No.	Notes	MODEL	RACA14	RACA14	RACA14	RACA14		
		COOLING CAPACITY	036	042	048	060		
		MAJOR SERIES	A	A	A	A		
		ELECTRICAL DESIGNATION	C	C	C	C		
FAN GROUP								
37	Stk	Fan Motor	51-100999-24	51-100999-24	51-100998-29	51-100998-29		
38	Stk	Fan Blade	70-101323-19	70-101323-19	70-23594-02	70-23594-03		
73	Stk	Capacitor - Fan Motor	43-100496-04	43-100496-04	43-100496-12	43-100496-12		

No.	Notes	MODEL COOLING CAPACITY MAJOR SERIES ELECTRICAL DESIGNATION DRIVE PACKAGE	RACA14	RACA14	RACA14	RACA14	RACA14	
			024 A J D	030 A J D	036 A J D	042 A J T	048 A J T	
BLOWER GROUP								
	Stk	Blower Assembly (Includes items 51-56)	AS-58662-01	AS-58662-05	AS-58662-55	AS-58662-70	AS-58662-71	
51		Housing	AS-58619-01	AS-58619-02	N/A	N/A	N/A	
51		Housing w/Wheel	N/A	N/A	70-100840-02	70-100840-02	70-100840-02	
51a		Transition	N/A	N/A	AE-102207-05	AE-102207-05	AE-102207-05	
51b		Transition - Back	N/A	N/A	AE-102207-06	AE-102207-06	AE-102207-06	
52	Stk	Blower Wheel	70-20218-01	70-18625-03	703016	703016	703016	
53		Cut-Off	AE-64401-10	AE-64401-06	N/A	N/A	N/A	
54	Stk	Blower Motor	51-23608-02	51-23609-04	51-100837-04	51-101920-28	51-101920-29	
54a		Capacitor - Blower Motor	43-100496-04	43-100496-12	43-100496-42	N/A	N/A	
		Motor Mounting Bracket Assembly (includes 55, 56)	AS-53148-03	AS-53148-03	N/A	N/A	N/A	
55		Motor Band	70-19927-01	70-19927-01	70-19927-03	70-19927-03	70-19927-03	
56		Motor Arm Assembly (3)	70-19929-02	70-19929-02	70-19929-09	70-19929-09	70-19929-09	
56a		Hex Washer Screw (3)	63-20072-05	63-20072-05	63-20072-05	63-20072-05	63-20072-05	
57		Blower Relay	See Electrical Group					

No.	Notes	MODEL COOLING CAPACITY MAJOR SERIES ELECTRICAL DESIGNATION DRIVE PACKAGE	RACA14	RACA14	RACA14			
			036 A C D	042 A C T	048 A C T			
BLOWER GROUP								
	Stk	Blower Assembly (Includes items 51-56)	AS-58662-55	AS-58662-70	AS-58662-71			
51		Housing w/Wheel	70-100840-02	70-100840-02	70-100840-02			
51a		Transition	AE-102207-05	AE-102207-05	AE-102207-05			
51b		Transition - Back	AE-102207-06	AE-102207-06	AE-102207-06			
52	Stk	Blower Wheel	703016	703016	703016			
53		Cut-Off	N/A	N/A	N/A			
54	Stk	Blower Motor	51-100837-04	51-101920-28	51-101920-29			
54a		Capacitor - Blower Motor	43-100496-42	N/A	N/A			
55		Motor Band	70-19927-03	70-19927-03	70-19927-03			
56		Motor Arm Assembly	70-19929-09	70-19929-09	70-19929-09			
56a		Hex Washer Screw (3)	63-20072-05	63-20072-05	63-20072-05			
57		Blower Relay	See Electrical Group					

No.	Notes	MODEL COOLING CAPACITY MAJOR SERIES ELECTRICAL DESIGNATION DRIVE PACKAGE	RACA14	RACA14				
			060 A C T	060 A J T				
BLOWER GROUP								
	Stk	Blower Assembly (Includes items 51-56)	AS-58662-77	AS-58662-77				
51		Housing w/Wheel	70-100840-03	70-100840-03				
51a		Transition	AE-102207-13	AE-102207-13				
51b		Transition - Back	AE-102207-14	AE-102207-14				
52	Stk	Blower Wheel	PD706266	PD706266				
53		Cut-Off	N/A	N/A				
54	Stk	Blower Motor	51-101984-16	51-101984-16				
54a		Capacitor - Blower Motor	N/A	N/A				
55		Motor Band	70-19927-03	70-19927-03				
56		Motor Arm Assembly	70-19929-09	70-19929-09				
56a		Hex Washer Screw (3)	63-20072-05	63-20072-05				
57		Blower Relay	See Electrical Group					

No.	Notes	MODEL COOLING CAPACITY MAJOR SERIES ELECTRICAL DESIGNATION	RACA14	RACA14	RACA14	RACA14
			024 A J	030 A J	036 A C	036 A J
COIL GROUP						
CONDENSER COIL:						
61	Stk	Condenser Coil (Coil Only)	AS-104395-01	AS-104395-02	AS-104395-05	AS-104395-05
61b		Pad - Bottom Coil	68-104248-03 (4)	68-104248-03 (4)	68-104248-03 (4)	68-104248-03 (4)
61c		Coil Filler Plate (2)	AS-104545-01H	AS-104545-01H	AS-104545-01H	AS-104545-01H
61d		Coil Mount	AE-101781-03	AE-101781-01	AE-101781-01	AE-101781-01
		Access Valve Body (2)	61-18542-01	61-18542-01	61-18542-01	61-18542-01
		Access Valve Core (4)	61-18551-01	61-18551-01	61-18551-01	61-18551-01
		Bulkhead Valve (2)	61-22369-04	61-22369-04	61-22369-04	61-22369-04
78	Stk	Filter Drier - Liquid Line	83-22755-05	83-22755-05	83-22755-05	83-22755-05
EVAPORATOR COIL:						
62	Stk	Evaporator Coil (Coil Only)	65-104387-01	65-104387-01	65-104387-01	65-104387-01
63		Drain Pan Grommet	56-23601-01	56-23601-01	56-23601-01	56-23601-01
64	Stk	Drain Pan	68-23602-03	68-23602-03	68-23602-03	68-23602-03
64a		Water Block-Off	68-104901-01	68-104901-01	68-104901-01	68-104901-01
64b		Drain Trap (Attached to Drain Pan)	68-23603-01	68-23603-01	68-23603-01	68-23603-01
		Auxiliary Drain Pipe	82-58611-02	82-58611-02	82-58611-02	82-58611-02
	Stk	TXV	61-102211-35	61-102211-36	61-102211-37	61-102211-37
67a		Frame - Coil Back Air Stop	AE-104569-01	AE-104569-01	AE-104569-01	AE-104569-01
67b		Frame - Coil Top Air Stop	AE-104571-01	AE-104571-01	AE-104571-01	AE-104571-01
68a		Frame - Coil Front Air Stop	AS-104570-01H	AS-104570-01H	AS-104570-01H	AS-104570-01H
68b		Frame - Coil Front Support	AE-104572-01	AE-104572-01	AE-104572-01	AE-104572-01

No.	Notes	MODEL COOLING CAPACITY MAJOR SERIES ELECTRICAL DESIGNATION	RACA14	RACA14	RACA14	RACA14
			042 A C	042 A J	048 A C	048 A J
COIL GROUP						
CONDENSER COIL:						
61	Stk	Condenser Coil (Coil Only)	AS-104395-06	AS-104395-06	AS-104395-07	AS-104395-07
61b		Pad - Bottom Coil	68-104248-03 (5)	68-104248-03 (5)	68-104248-03 (5)	68-104248-03 (5)
61c		Coil Filler Plate (2)	AS-104545-01H	AS-104545-01H	AS-104545-02H	AS-104545-02H
61d		Coil Mount	N/A	N/A	N/A	N/A
		Access Valve Body (2)	61-18542-01	61-18542-01	61-18542-01	61-18542-01
		Access Valve Core (4)	61-18551-01	61-18551-01	61-18551-01	61-18551-01
		Bulkhead Valve (2)	61-22369-04	61-22369-04	61-22369-04	61-22369-04
78	Stk	Filter Drier - Liquid Line	83-22755-05	83-22755-05	83-22755-05	83-22755-05
EVAPORATOR COIL:						
62	Stk	Evaporator Coil (Coil Only)	65-104387-01	65-104387-01	65-104387-02	65-104387-02
63		Drain Pan Grommet	56-23601-01	56-23601-01	56-23601-01	56-23601-01
64	Stk	Drain Pan	68-23602-03	68-23602-03	68-23602-03	68-23602-03
64a		Water Block-Off	68-104901-01	68-104901-01	68-104901-01	68-104901-01
64b		Drain Trap (Attached to Drain Pan)	68-23603-01	68-23603-01	68-23603-01	68-23603-01
		Auxiliary Drain Pipe	82-58611-02	82-58611-02	82-58611-02	82-58611-02
	Stk	TXV	61-102211-37	61-102211-37	61-102211-41	61-102211-41
67a		Frame - Coil Back Air Stop	AE-104569-01	AE-104569-01	AE-104569-02	AE-104569-02
67b		Frame - Coil Top Air Stop	AE-104571-01	AE-104571-01	AE-104571-02	AE-104571-02
68a		Frame - Coil Front Air Stop	AS-104570-01H	AS-104570-01H	AS-104570-02H	AS-104570-02H
68b		Frame - Coil Front Support	AE-104572-01	AE-104572-01	AE-104572-02	AE-104572-02

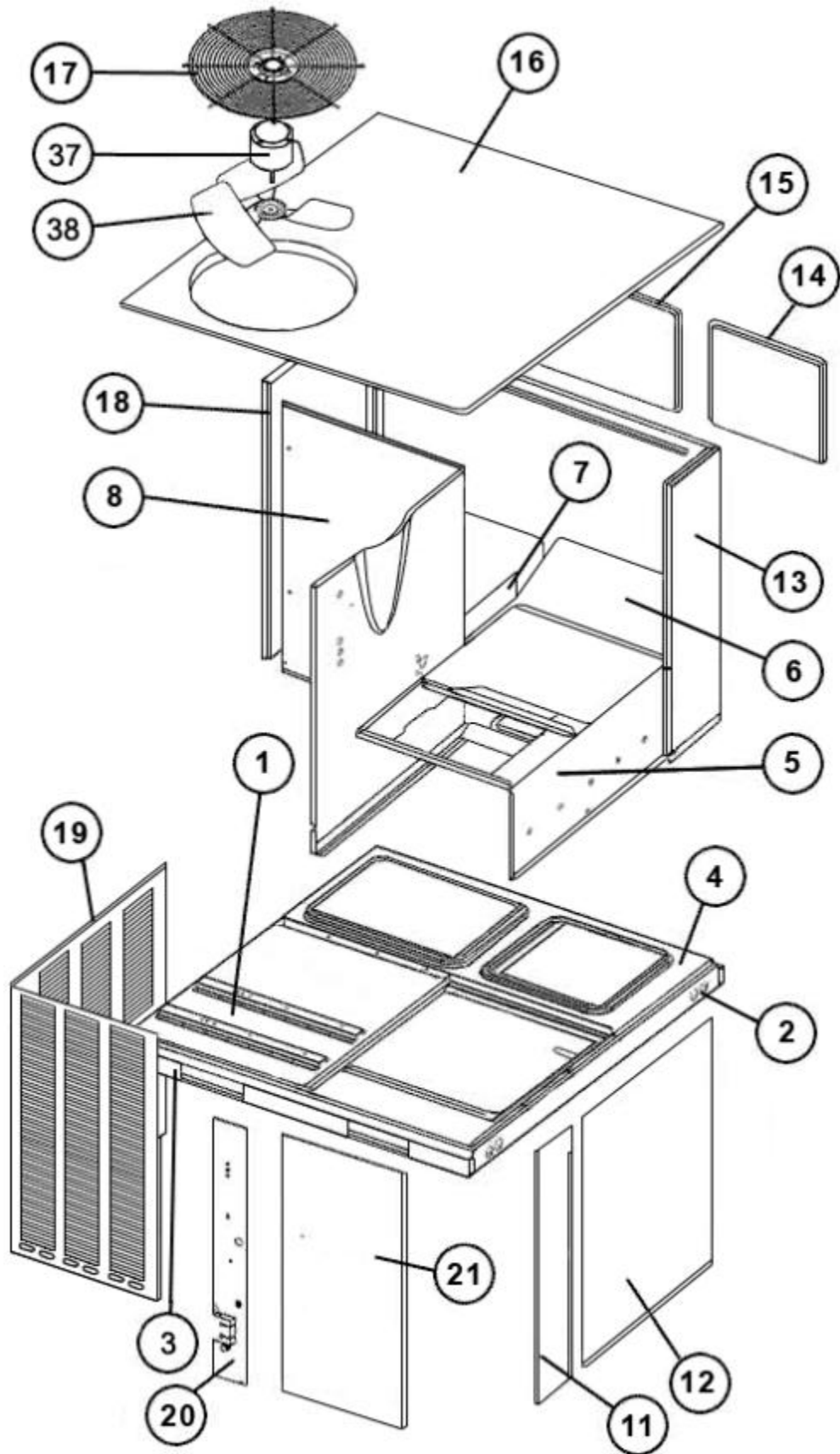
No.	Notes	MODEL	RACA14	RACA14
		COOLING CAPACITY	060	060
		MAJOR SERIES	A	A
		ELECTRICAL DESIGNATION	C	J
COIL GROUP				
CONDENSER COIL:				
61	Stk	Condenser Coil (Coil Only)	AS-104395-03	AS-104395-03
61b		Pad - Bottom Coil	68-104248-03 (5)	68-104248-03 (5)
61c		Coil Filler Plate (2)	AS-104545-02H	AS-104545-02H
61d		Coil Mount	N/A	N/A
		Access Valve Body (2)	61-18542-01	61-18542-01
		Access Valve Core (4)	61-18551-01	61-18551-01
		Bulkhead Valve (2)	61-22369-04	61-22369-04
78	Stk	Filter Drier - Liquid Line	83-22755-05	83-22755-05
EVAPORATOR COIL:				
62	Stk	Evaporator Coil (Coil Only)	65-104387-03	65-104387-03
63		Drain Pan Grommet	56-23601-01	56-23601-01
64	Stk	Drain Pan	68-23602-03	68-23602-03
64a		Water Block-Off	68-104901-01	68-104901-01
64b		Drain Trap (Attached to Drain Pan)	68-23603-01	68-23603-01
		Auxiliary Drain Pipe	82-58611-02	82-58611-02
	Stk	TXV	61-102211-39	61-102211-39
67a		Frame - Coil Back Air Stop	AE-104569-02	AE-104569-02
67b		Frame - Coil Top Air Stop	AE-104571-02	AE-104571-02
68a		Frame - Coil Front Air Stop	AS-104570-02H	AS-104570-02H
68b		Frame - Coil Front Support	AE-104572-02	AE-104572-02

No.	Notes	MODEL COOLING CAPACITY MAJOR SERIES ELECTRICAL DESIGNATION	RACA14 024 A J	RACA14 030 A J	RACA14 036 A J	RACA14 042 A J	RACA14 048 A J	RACA14 060 A J	
COMPRESSOR GROUP									
		Compressor ID:	8846	8847	8848	8850	8852	8854	
71	Stk	Compressor	55-102045-97S	55-102045-31S	55-102045-66S	55-102045-15S	55-102045-06S	55-102045-102S	
72		Grommet (4)	56-18518-16	56-18518-16	56-18518-16	56-18518-16	56-18518-06	56-18518-06	
73	Stk	Capacitor - Compressor/Fan	43-101665-44	43-101665-26	43-101665-41	43-101665-41	43-101665-48	43-101665-47	
76		High Pressure Control	47-102290-01	47-102290-01	47-102290-01	47-102290-01	47-102290-01	47-102290-01	
77		Low Pressure Control	See Accessories						
	Stk	Compressor Wiring Harness (Molded Plug)	45-100834-80	45-100834-80	45-100834-80	45-100834-80	45-100834-80	45-100834-80	

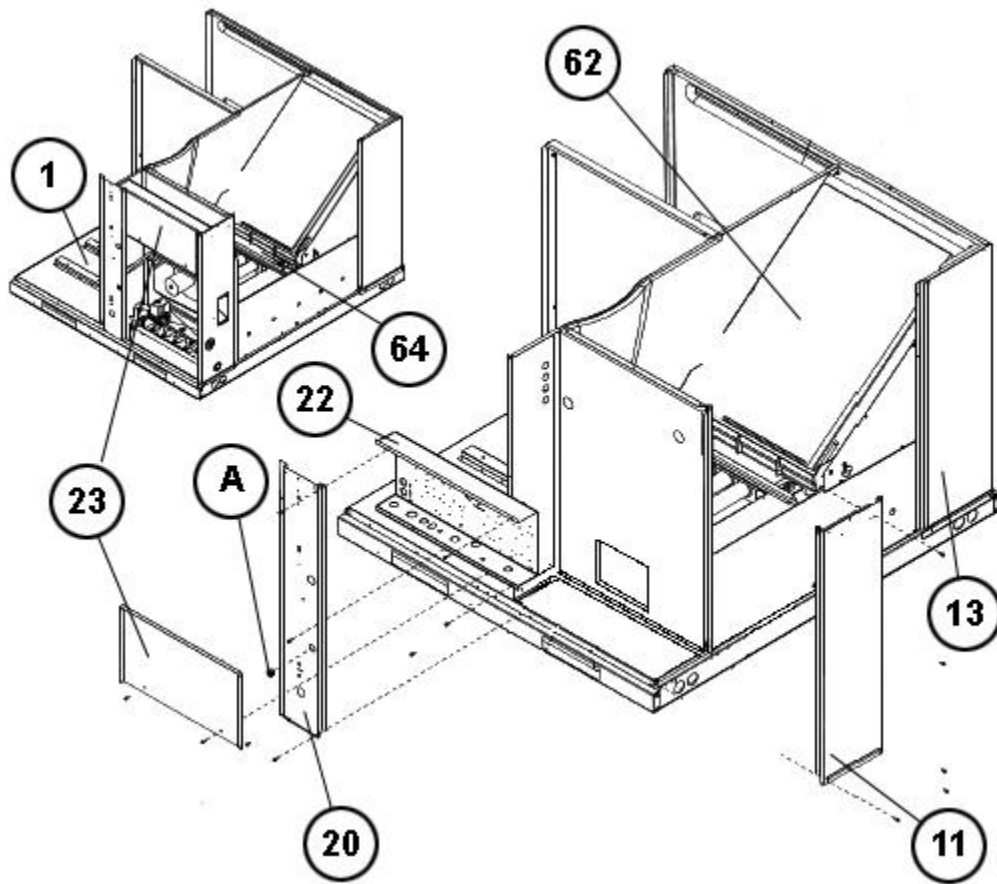
No.	Notes	MODEL COOLING CAPACITY MAJOR SERIES ELECTRICAL DESIGNATION	RACA14 036 A C	RACA14 042 A C	RACA14 048 A C	RACA14 060 A C			
COMPRESSOR GROUP									
		Compressor ID:	8849	8851	8853	8855			
71	Stk	Compressor	55-102045-90S	55-102045-19S	55-102045-08S	55-102045-117S			
72		Grommet (4)	56-18518-16	56-18518-16	56-18518-06	56-18518-06			
73	Stk	Capacitor - Fan	See Fan Group						
76		High Pressure Control	47-102290-01	47-102290-01	47-102290-01	47-102290-01			
77		Low Pressure Control	See Accessories						
	Stk	Compressor Wiring Harness (Molded Plug)	45-100834-80	45-100834-80	45-100834-80	45-100834-80			

No.	Notes	MODEL COOLING CAPACITY MAJOR SERIES ELECTRICAL DESIGNATION	RACA14 ALL A J	RACA14 ALL A C
HEATER KITS				
		Heater Kit - 05 kW	RXQJ-A05J	N/A
		Heater Kit - 10 kW	RXQJ-A10J	RXQJ-A10C
		Heater Kit - 15 kW	RXQJ-A15J	RXQJ-A15C

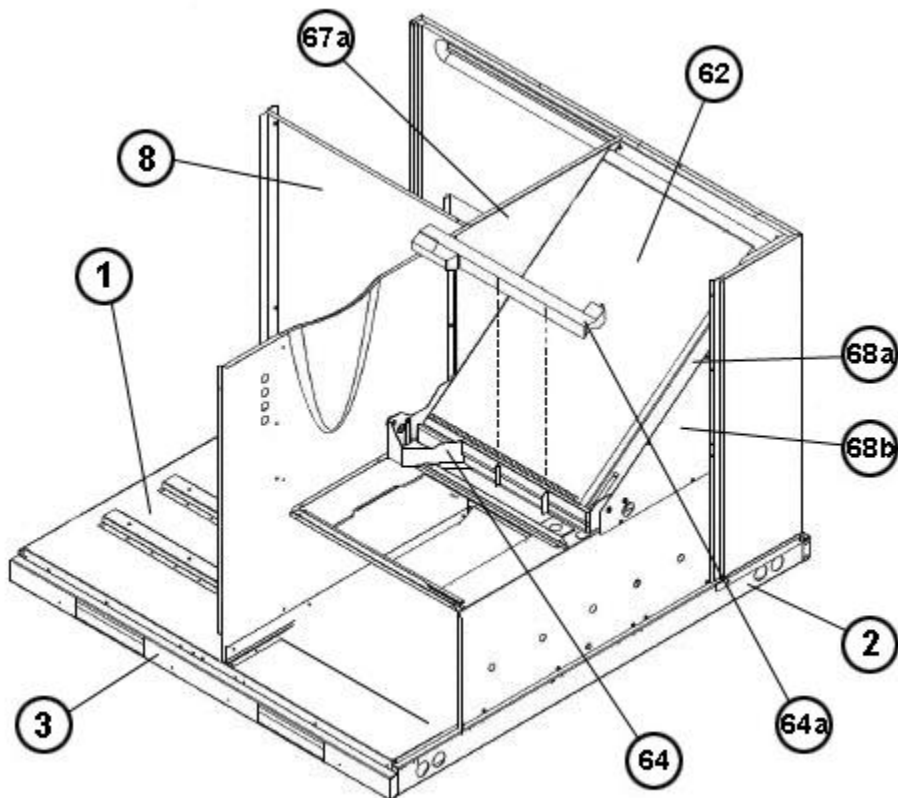
No.	Notes	MODEL VARIATIONS	RACA14 ALL	
OPTIONS AND ACCESSORIES				
		Economizer - Downflow, 3 Position	AXRE-CAA30	
		Economizer - Downflow, Fully Modulating	AXRD-CAM10	
		Economizer - Horizontal, 3 Position	AXRE-CCA30	
		Economizer - Horizontal, Fully Modulating	AXRD-CCM10	
		Fresh Air Damper - Fixed, 35%	AXRF-FAA1	
		Fresh Air Damper - Motorized, 35%	AXRF-FAB1	
		Low Ambient Control	RXRZ-B01	
76		High Pressure Control	RXAB-E01	
77		Low Pressure Control	RXAC-C01	



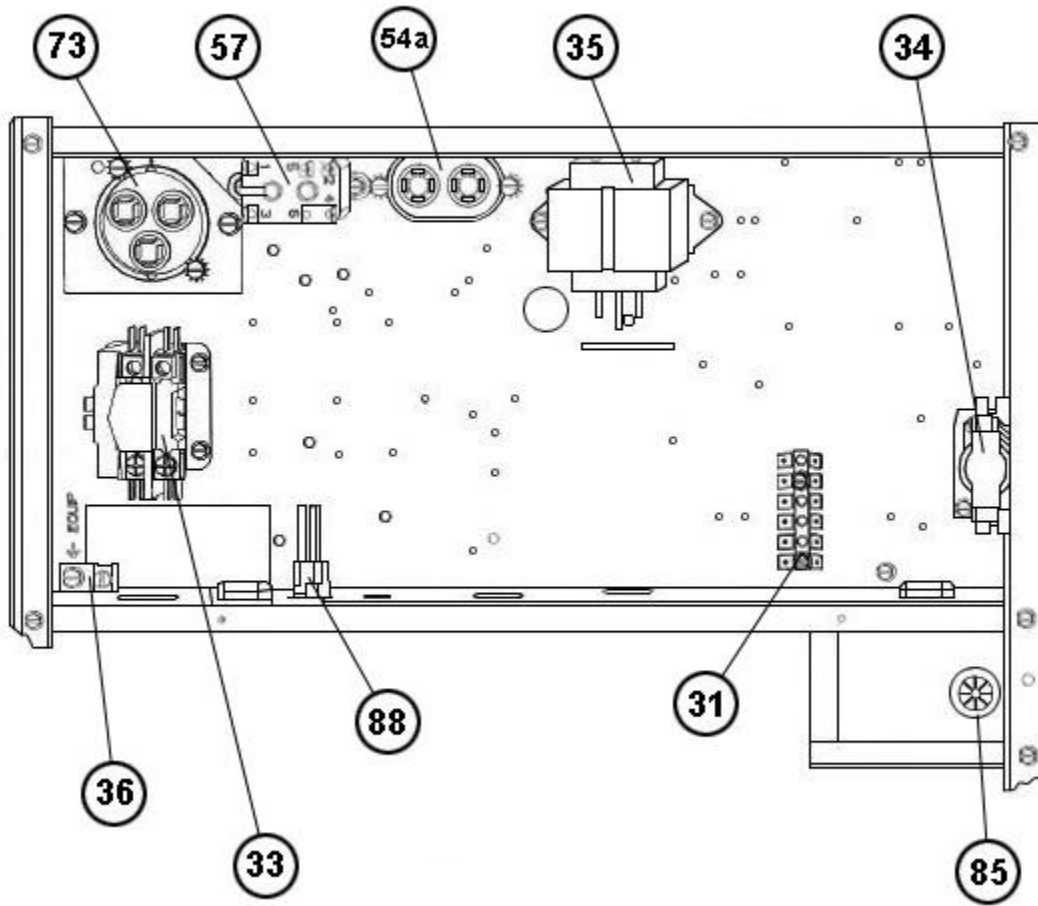
Exploded View



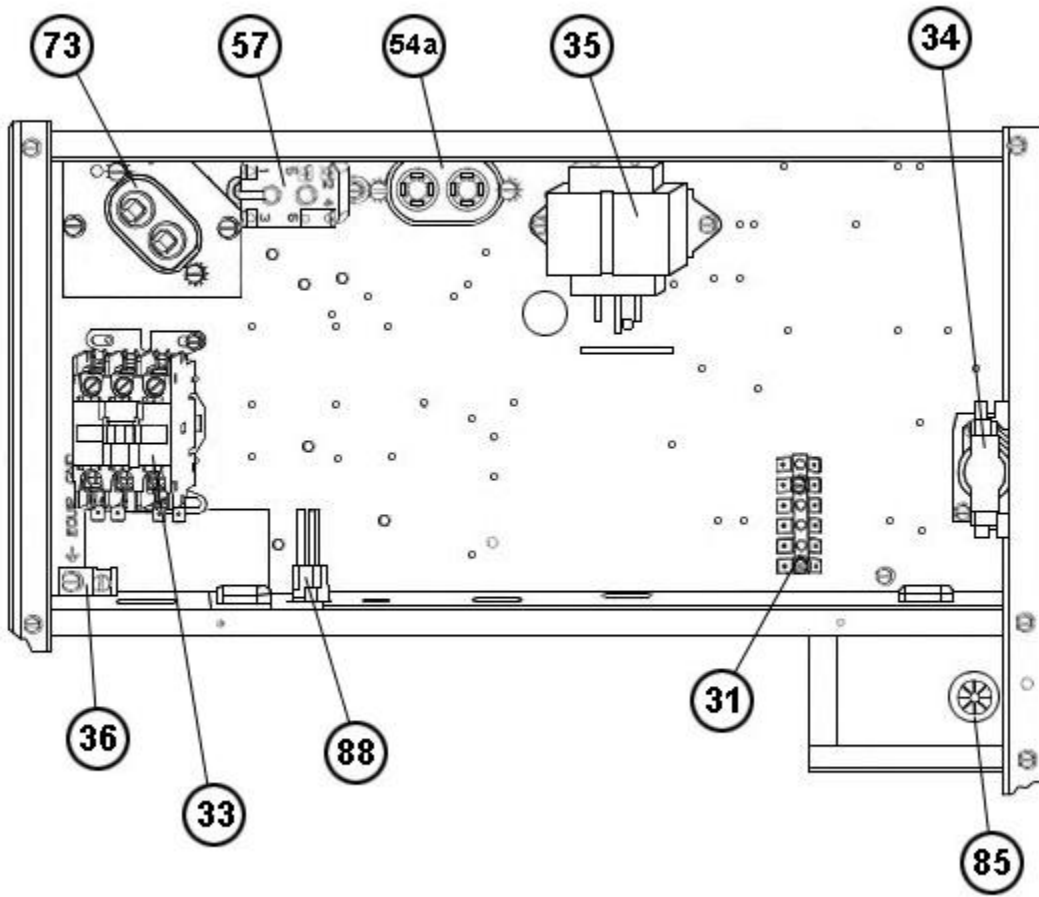
Control Access Panel, Evap Coil



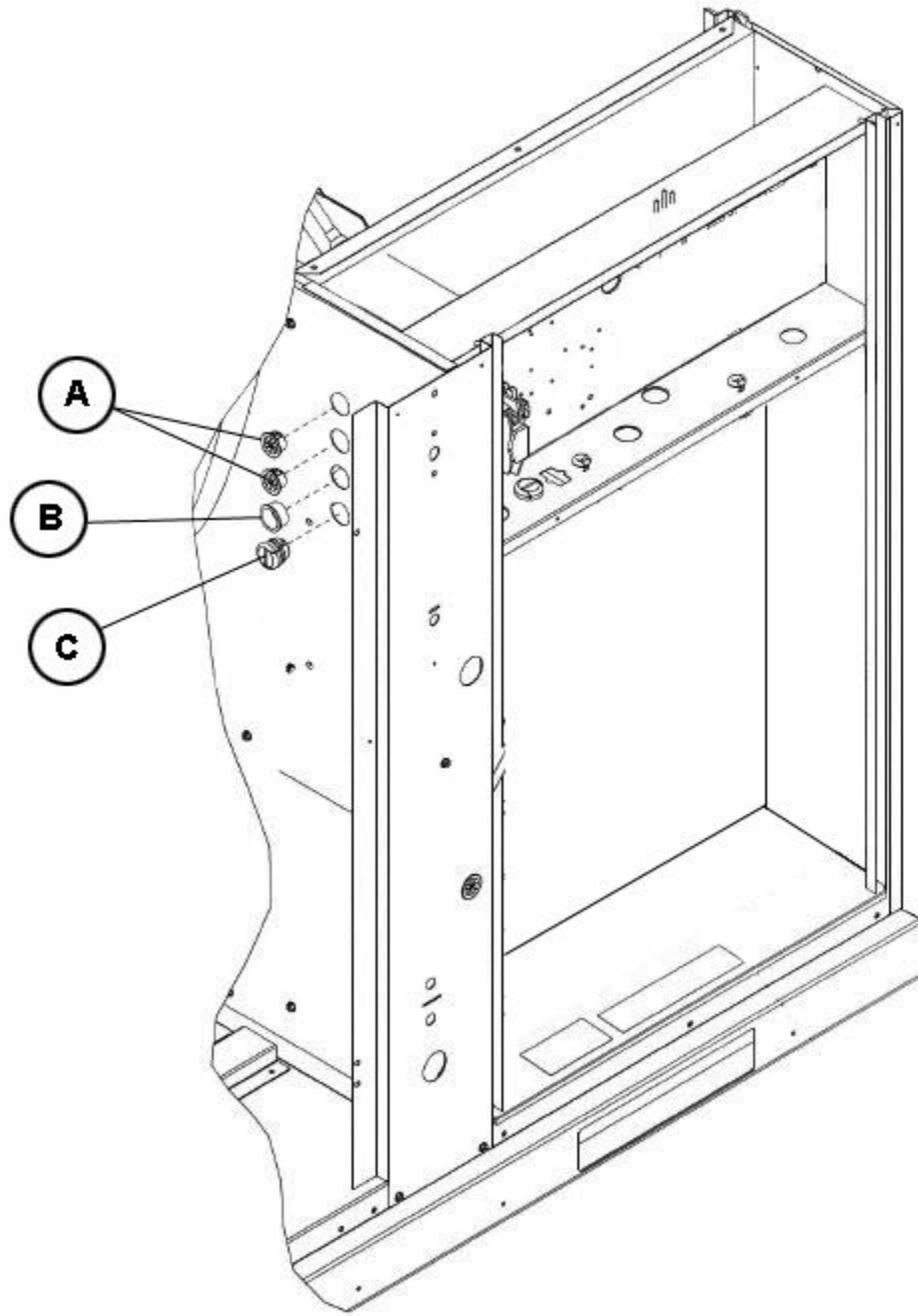
Evaporator Coil



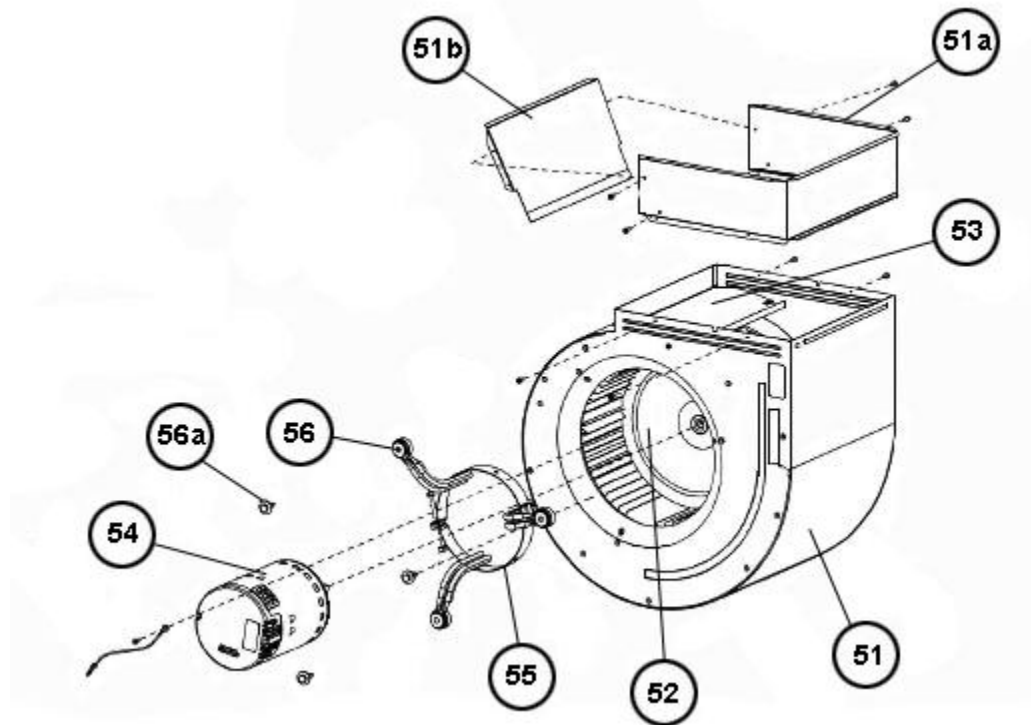
Electrical Control Box (1)



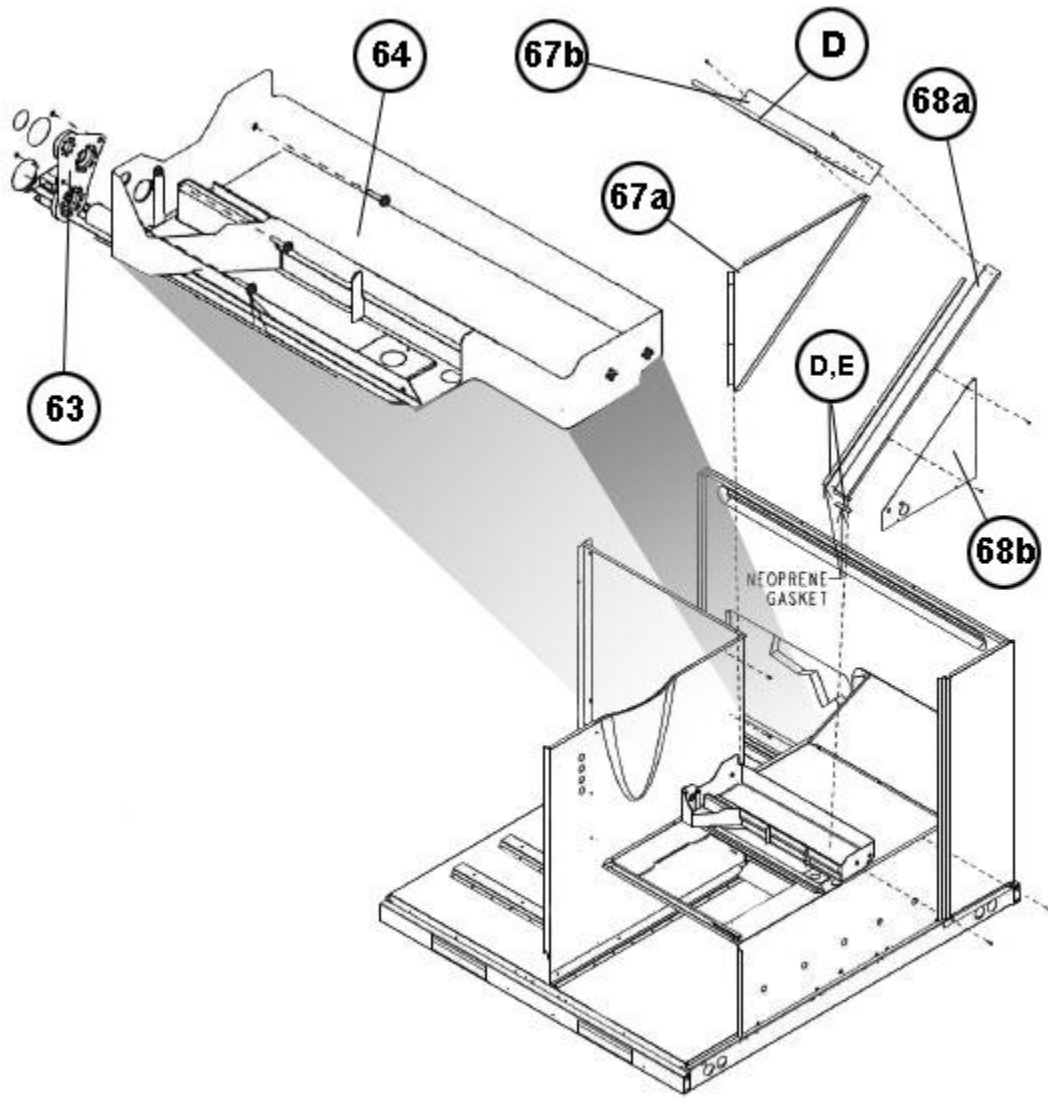
Electrical Control Box (2)



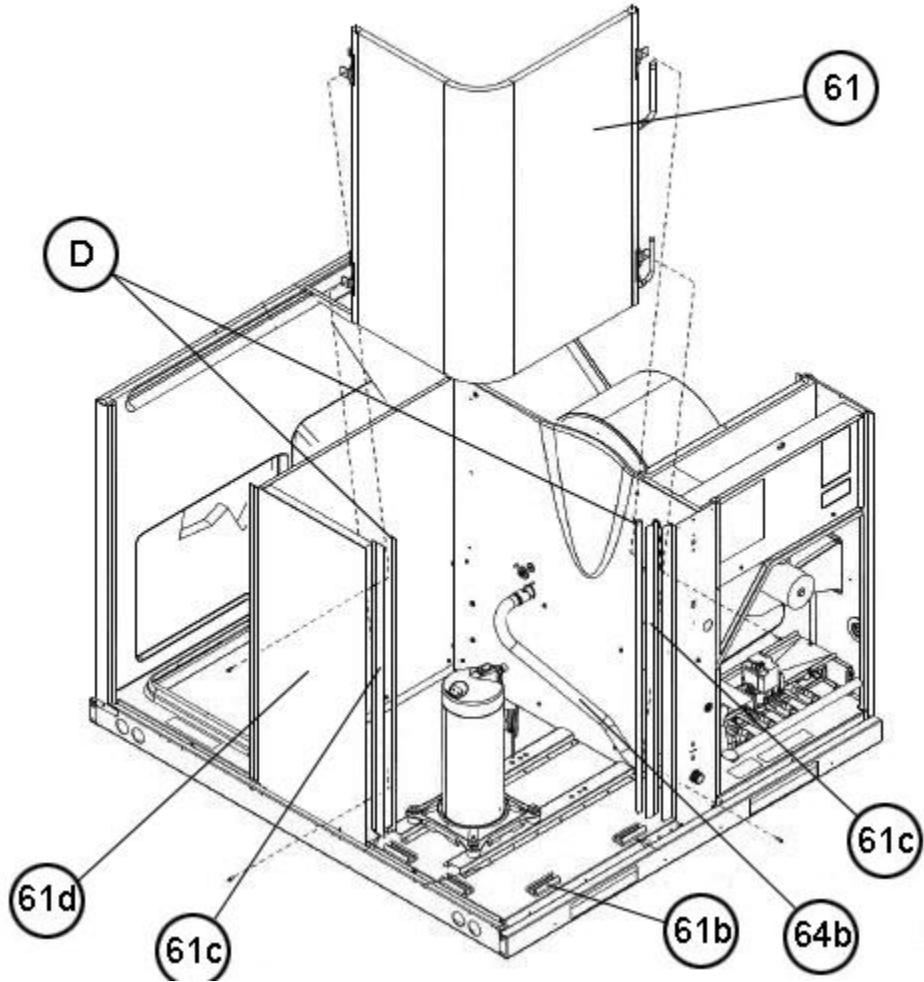
Bushings - Bulkhead Wiring



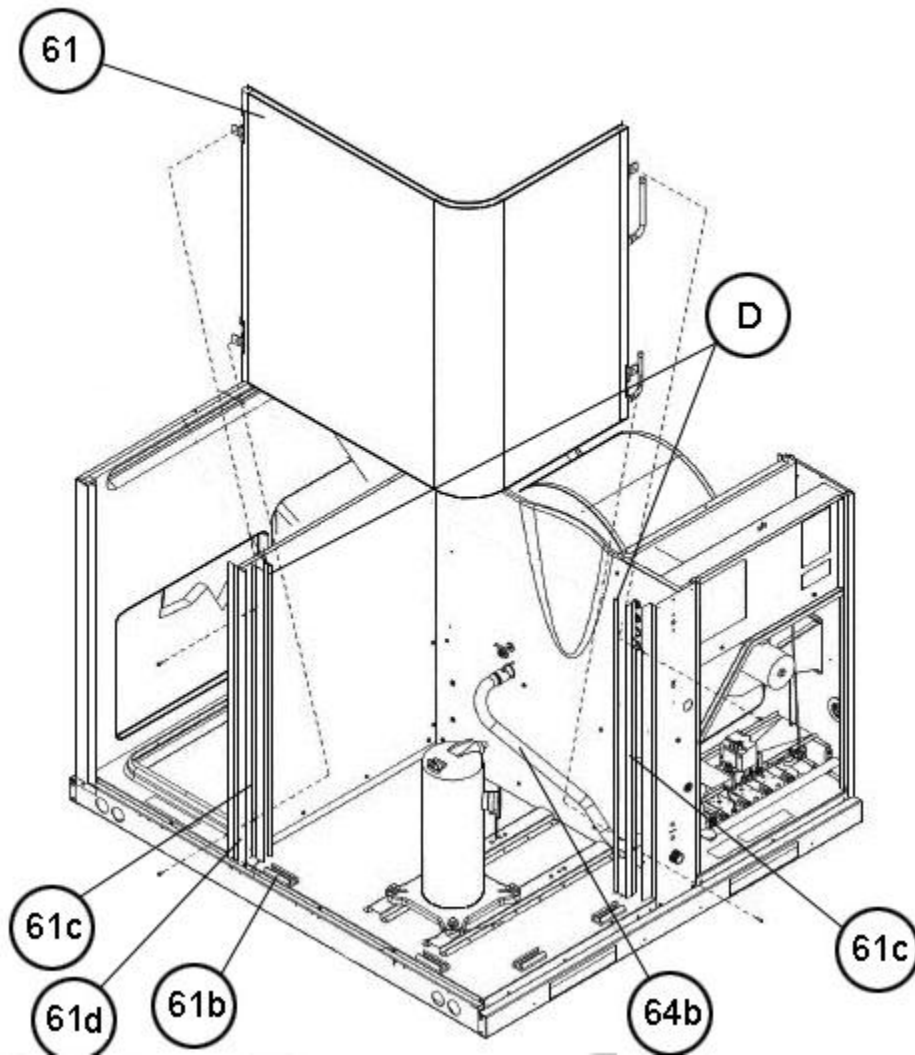
Blower Assembly



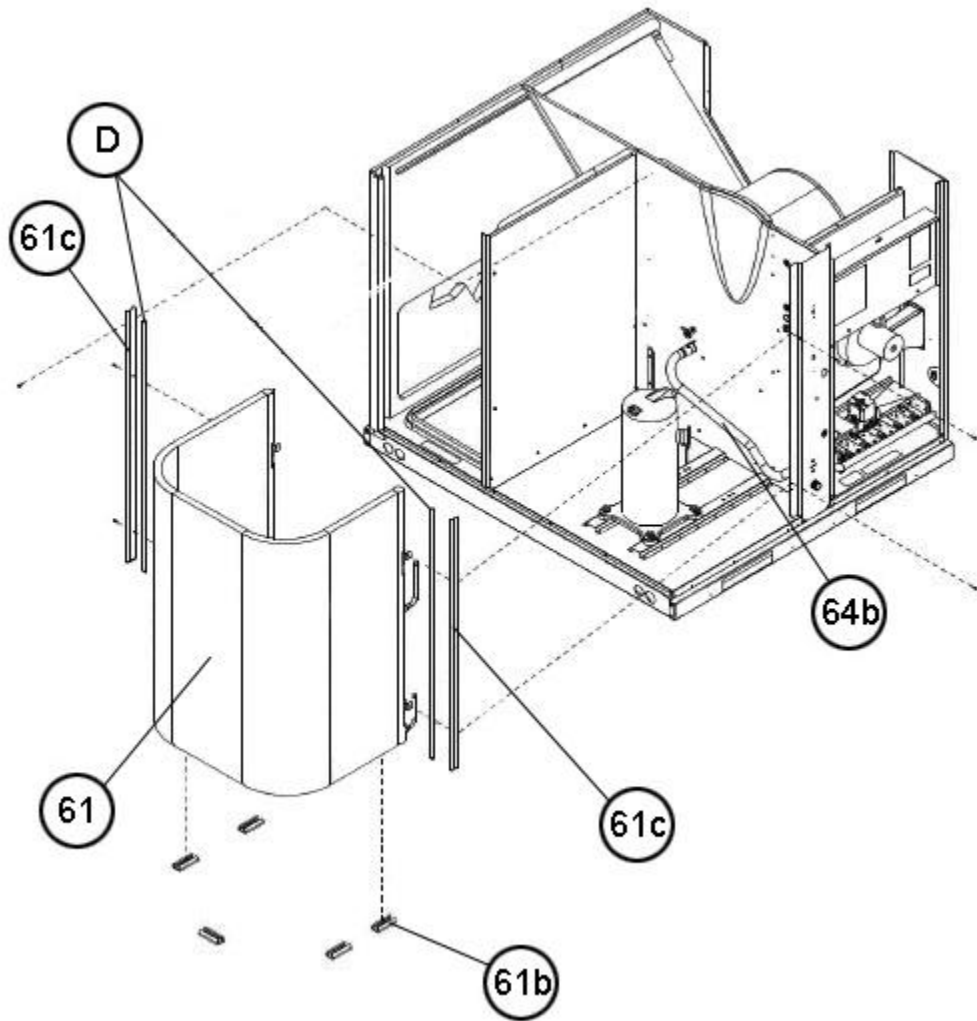
Coil Frames, Drainpan



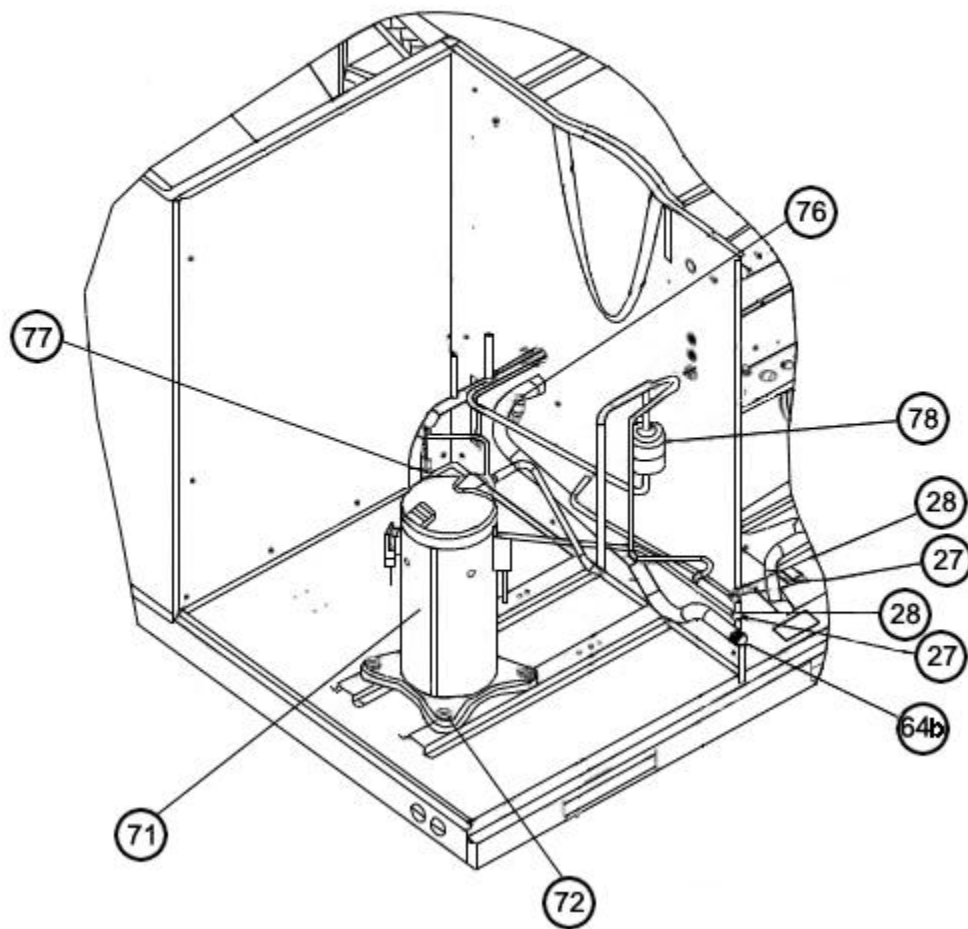
Condenser Coil 2 Ton



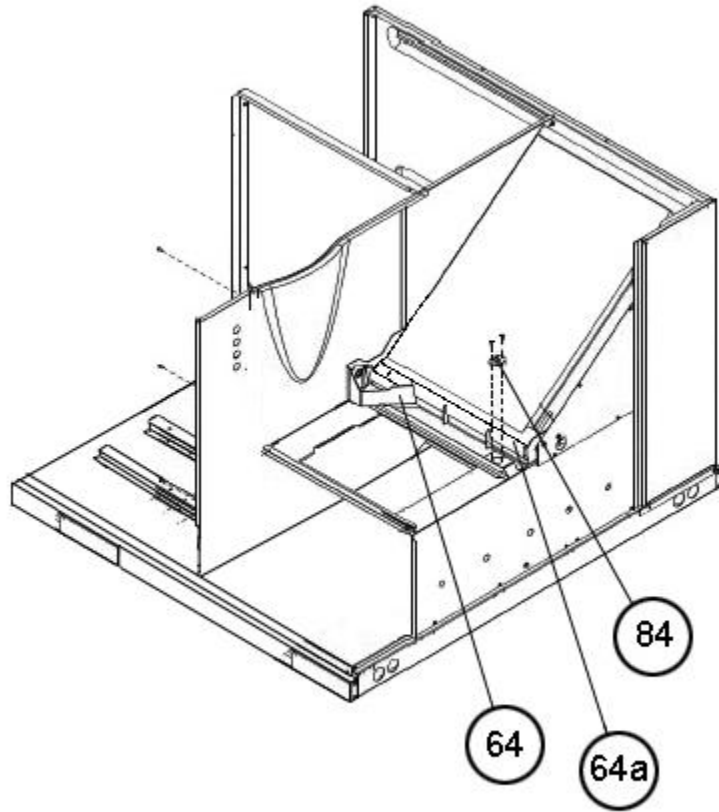
Condenser Coil 2.5 - 3 Ton



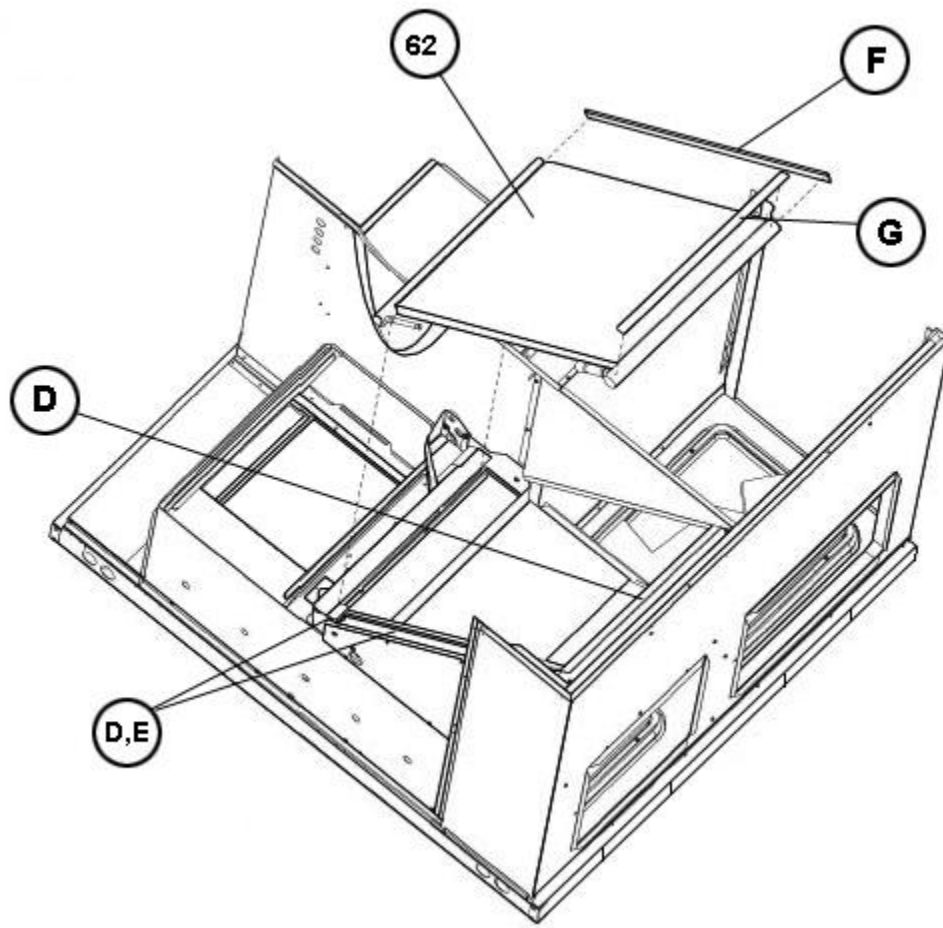
Condenser Coil 3.5 - 4 - 5 Ton



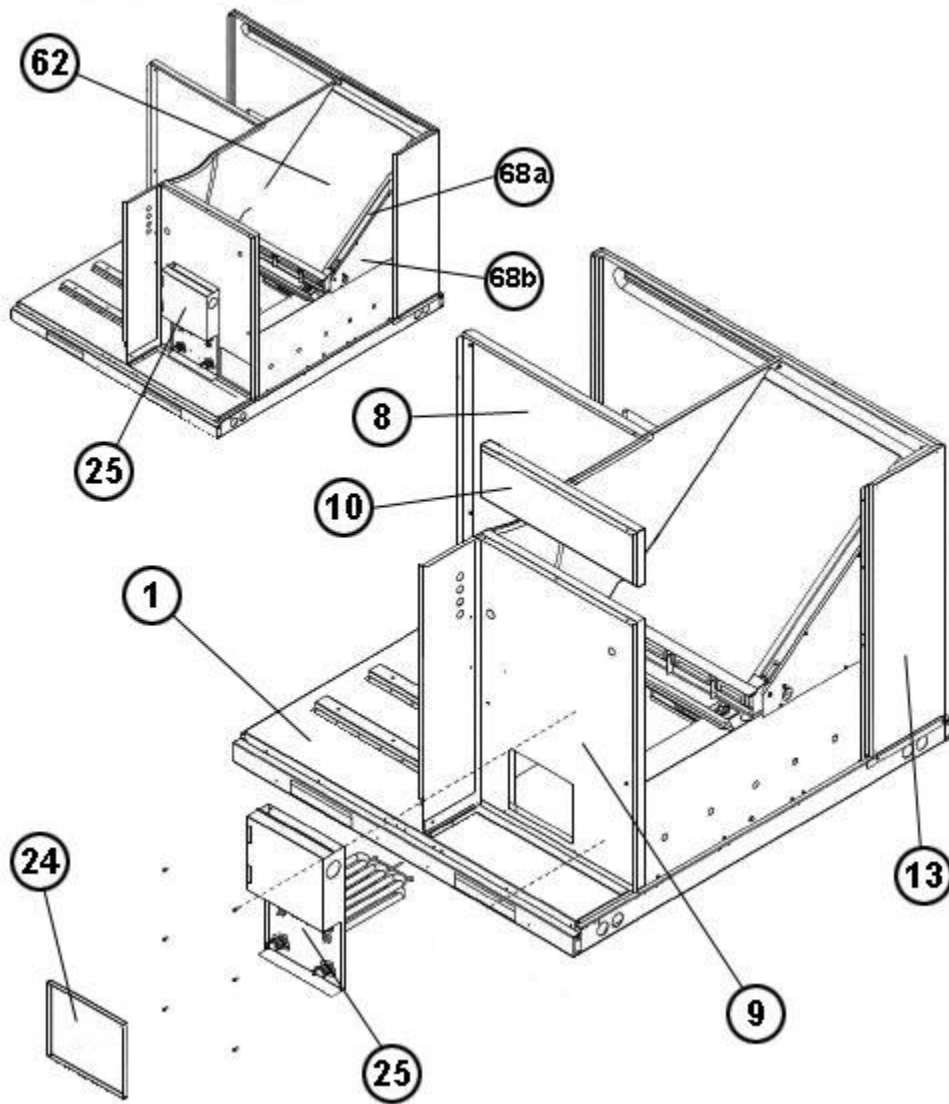
Compressor and Refrigeration Components



Limit Control - Blower Shelf



Evaporator Coil Gaskets



Heater Mounting - Panels

NOTES

Stk It is recommended that stock be maintained for this part.
N/A Not Applicable

DISCLAIMER: This document is intended to provide general replacement parts information to aid qualified service personnel in the repair of these models. The complete Model and Serial Number of the unit under repair should be specified when selecting and ordering replacement parts. Specifications and illustrations are subject to change without notice. Document 92-42800-RACA14 supersedes all previous parts lists for these models. See <http://www.rheempartslists.net/92-42800-RACA14> for the latest revision of this document. The manufacturer assumes no obligation for errors or omissions. Service personnel must verify the proper and safe operation of equipment after the replacement of any original components.